

# Mobile Spray Rig

312765B

***For mobile spraying or dispensing of epoxies, polyurethane foam, and polyurea coatings.  
Not for use in explosive atmospheres.***

*120 psi (0.8 MPa, 8.2 bar) Maximum Working Air Pressure*

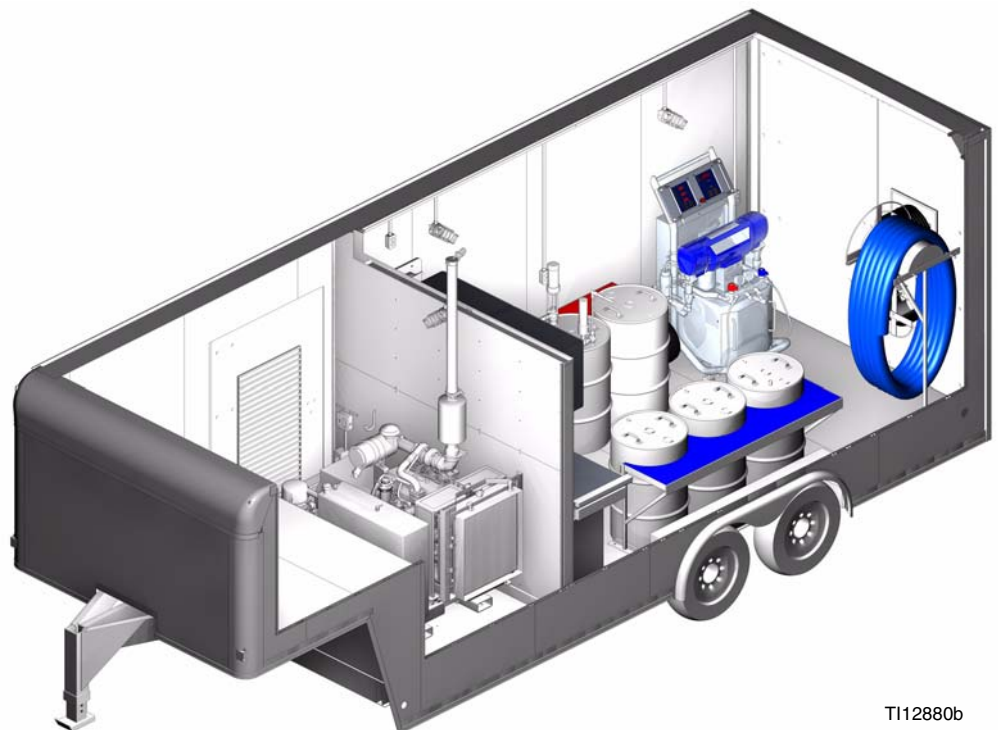
*See **Technical Data** on page 45 and **Related Manuals** on page 3 for Maximum Working Fluid Pressures*



### **Important Safety Instructions**

Read all warnings and instructions in this manual and all supplied manuals. Save these instructions. See **Related Manuals** on page 3.

See page 4 for product configurator information.



T112880b

*28 ft Trailer Shown*

# Contents

Related Manuals .....	3
Product Configurator .....	4
Warnings .....	10
Component Identification .....	12
Grounding .....	18
Transporting Trailer .....	18
Setup .....	19
Startup .....	24
Pressure Relief Procedure .....	26
Operation .....	27
Shutdown .....	28
Maintenance .....	29
Troubleshooting .....	29
Simplified Electrical Schematics .....	30
Simplified Pneumatic Schematic .....	38
Simplified Fluid Schematics .....	40
Dimensions .....	43
Technical Data .....	45
Graco Ohio Standard Warranty .....	46
Graco Ohio Information .....	46

# Related Manuals

## Graco Manuals

These manuals can be found at [www.graco.com](http://www.graco.com). See **Product Configurator** on page 4 to determine which components are installed in your assembly. All manuals for installed components are supplied with each Spray Rig.

Proportioners	
Part	Description
311511	Air Reactor Operation Manual
311512	Air Reactor Repair Manual
312062	Hydraulic Reactor Operation Manual
312063	Hydraulic Reactor Repair Manual
312064	Hydraulic Reactor Electrical Diagrams Manual
312065	Electric Reactor Operation Manual
312066	Electric Reactor Repair Manual
Gun Packages	
Part	Description
309550	Fusion Air Purge Gun Manual
309856	Fusion Mechanical Purge Gun Manual
311320	D-Gun Manual
311321	GX-7A, GX-7 DI, and GX-7 400 Spray Guns Manual
311322	GAP Pro Spray Gun Manual
311338	Gusmer GX-8 Gun Manual
312666	Fusion ClearShot Gun Manual
313213	Probler P2 Manual
Pumps	
Part	Description
308479	Husky 1040 Air-Operated Diaphragm Pumps Manual
311882	T2 2:1 Ratio Transfer Pump Manual
312766	T1 2:1 Ratio Transfer Pump Manual
Agitators	
Part	Description
308175	Twistork Helix Mixer

Hoses	
Part	Description
309572	Power-Lock Heated Hose Manual
Kits	
Part	Description
309815	Feed Pump Kits Manual
309852	Circulation and Return Tube Kits

## Non-Graco Manuals

The following manuals are for non-Graco Spray Rig components. See **Product Configurator** on page 4 to determine which components are installed in your assembly. All manuals for installed components are supplied with each Spray Rig.

Description
Breathable Air System Manual
Air Dryer Manual
Trailer Manual
Generator Manual
Compressor Manual
Air Conditioning Unit Manual
Band Heaters Manual

**NOTE:** The manual for each rotary compressor is included in the generator manual.

# Product Configurator

<b>US</b>	<b>G</b>																	
Code:	A	B	C	D	E	F-G	H-I	J	K	L	M	N	O	P	Q-R	S		
	Trailer Type	Air Compressor	Proportioner(s)	Air Dryer	Generator	Pump System	Gun	Work Bench	Band Heaters	Air Conditioning	Agitator(s)	Gun Recirculation Kit	Machine Recirculation Kit	Drum Lids	Heated Hoses	Breathable Air System		
	Configurator Series Level																	

An example of the product configurator would be the following configurator code.

<b>US</b>	<b>G</b>	<b>T</b>	<b>M</b>	<b>D</b>	<b>4</b>	<b>N</b>	<b>04</b>	<b>06</b>	<b>1</b>	<b>2</b>	<b>A</b>	<b>1</b>	<b>3</b>	<b>N</b>	<b>2</b>	<b>26</b>	<b>B</b>	
Code:	A	B	C	D	E	F-G	H-I	J	K	L	M	N	O	P	Q-R	S		
	Trailer Type	Air Compressor	Proportioner(s)	Air Dryer	Generator	Pump System	Gun	Work Bench	Band Heaters	Air Conditioning	Agitator(s)	Gun Recirculation Kit	Machine Recirculation Kit	Drum Lids	Heated Hoses	Breathable Air System		
	Configurator Series Level																	

The following part number fields apply for the Spray Rig part numbering configurator fields.

Code A	Part	Trailer Type
A	U90840	28 ft Trailer, 3-Phase, OEM Insulation, Dual Proportioner
B	U90678	18 ft Modified Truck Box, 3-Phase, Insulated by Graco
C	U91000	18 ft Modified Truck Box, 3-Phase, OEM Insulation
D	U91001	18 ft Modified Truck Box, 1-Phase, OEM Insulation
F	U90677	18 ft Modified Truck Box, 1-Phase, Insulated by Graco
G	U90380	28 ft Trailer, 3-Phase, OEM Insulation, Single Proportioner
H	U90638	28 ft Trailer, 1-Phase, OEM Insulation, Single Proportioner
J	U91002	18 ft Modified Truck Box, 3-Phase, OEM Insulation,
K	U91003	18 ft Modified Truck Box, 1-Phase, OEM Insulation

M	U90668	20-28 ft Modified Truck Box, 3-Phase, OEM Insulation, Single Proportioner
P	U90669	20-28 ft Modified Truck Box, 1-Phase, OEM Insulation, Single Proportioner
Q	U91004	20-28 ft Modified Truck Box, 1-Phase, Insulated by Graco, Single Proportioner
R	U91005	20-28 ft Modified Truck Box, 3-Phase, Insulated by Graco, Single Proportioner
S	U90884	20-28 ft Modified Truck Box, 3-Phase, Insulated by Graco, Dual Proportioner
T	U90381	20 ft Trailer, 3-Phase, OEM Insulation
U	U90661	20 ft Trailer, 1-Phase, OEM Insulation
V	U91006	20-28 ft Modified Truck Box, 1-Phase, OEM Insulation, Single Proportioner
W	U91007	20-28 ft Modified Truck Box, 3-Phase, OEM Insulation, Single Proportioner
X	U90883	20-28 ft Modified Truck Box, 3-Phase, OEM Insulation, Dual Proportioner
Z	U90850	20-28 ft Modified Truck Box, 3-Phase, OEM Insulation, Dual Proportioner

Code B	Part	Air Compressor
X	U91010	None - Female Quick Connect Fitting Only
A	U90757	Rotary (Includes 40 kW, 3-Phase Generator) No Air Conditioning, 28 ft, 3-Phase
B	U90756	Rotary (Includes 40 kW, 3-Phase Generator), No Air Conditioning, 20 ft, 3-Phase
C	U90383	5 hp Horizontal, 3-Phase
D	U90384	5 hp Vertical, 3-Phase
E	U90385	10 hp Base Mount, 3-Phase
F	U90753	Rotary (Includes 40 kW, 1-Phase Generator) No Air Conditioning, 28 ft, 1-Phase
G	U90752	Rotary (Includes 40 kW, 1-Phase Generator) No Air Conditioning, 20 ft, 1-Phase
H	U90672	5 hp Horizontal, 1-Phase
J	U90673	5 hp Vertical, 1-Phase
K	U90674	10 hp Vertical, 3-Phase, 80 Gallon
M	U90754	Rotary (Includes 40 kW, 3-Phase Generator), With Air Conditioning, 20 ft, 3-Phase
P	U90750	Rotary (Includes 40 kW, 1-Phase Generator), With Air Conditioning, 20 ft, 1-Phase
Q	U90755	Rotary (Includes 40 kW, 3-Phase Generator), With Air Conditioning, 28 ft 3-Phase
R	U90751	Rotary (Includes 40 kW, 1-Phase Generator), With Air Conditioning, 28 ft, 1-Phase
S	U90841	Rotary (Includes 40 kW, 3-Phase Generator), Without Air Conditioning, Dual Proportioner
T	U90842	Rotary (Includes 40 kW, 3-Phase Generator), With Air Conditioning, Dual Proportioner

Code C	Part	Proportioner(s)
X	U91008	None - Wires Only For 100 Amp, 3-Phase
A	U90389	H-40, 20.4 kW Heater, 3-phase
B	U90390	H-40, 12.0 kW Heater, 1-phase
C	U90391	H-40, 15.3 kW Heater, 3-phase
D	U90392	H-XP3, 20.4 kW Heater, 3-phase
E	U90393	H-25, 8.0 kW Heater, 1-phase
F	U90394	H-25, 8.0 kW Heater, 3-phase
G	U90395	H-25, 15.3 kW Heater, 1-phase
H	U90396	H-25, 15.3 kW Heater, 3-phase
J	U90397	H-XP2, 15.3 kW Heater, 1-phase
K	U90398	H-XP2, 15.3 kW Heater, 3-phase
L	U90399	E-30, 15.3 kW Heater, 1-phase
M	U90400	E-30, 15.3 kW Heater, 3-phase
P	U90401	E-30, 10.2 kW Heater, 1-phase
Q	U90402	E-30, 10.2 kW Heater, 3-phase
R	U90403	E-20, 6.0 kW Heater, 1-phase
S	U90404	E-20, 6.0 kW Heater, 3-phase
T	U90405	E-XP2, 15.3 kW Heater, 1-phase
U	U90406	E-XP2, 15.3 kW Heater, 3-phase
V	U90844	(Dual) H-25, 8.0 kW Heater, 3-phase
W	U90845	(Dual) E-30, 10.2 kW Heater, 3-phase
Y	U91074	H-50, 15.3 kW Heater, 3-phase
Z	U91075	H-40, 20.4 kW Heater, 3-phase
Code D	Part	Air Dryer
1	-	None - Fittings Only
2	U90366	20 cfm
4	U90365	40 cfm
8	U90843	40 cfm for Dual Proportioners
Code E	Part	Generator
N	-	None
A	U90760	40 kW, 1-Phase (No Air Conditioning), 20 ft
C	U90761	40 kW, 1-Phase (No Air Conditioning), 28 ft
F	U90764	40 kW, 3-Phase (No Air Conditioning), 20 ft
H	U90765	40 kW, 3-Phase (No Air Conditioning), 28 ft
K	U90758	40 kW, 1-Phase (Air Conditioning), 20 ft
M	U90759	40 kW, 1-Phase (Air Conditioning), 28 ft
P	U90762	40 kW, 3-Phase (Air Conditioning), 20 ft
R	U90763	40 kW, 3-Phase (Air Conditioning), 28 ft

Code F-G	Part	Pump System
NP	-	None
01	U90353	Husky 1040 (2 Pumps with Supply Hoses), 20 ft
02	U90578	Husky 1040 (2 Pumps with Supply Hoses), 28 ft
04	U90414	T2 (2 Pumps with Supply Hoses), 20 ft
05	U90567	T2 (2 Pumps with Supply Hoses), 28 ft
07	U90727	T1 (2 Pumps with Supply Hoses), 20 ft
08	U90728	T1 (2 Pumps with Supply Hoses), 28 ft
11	U90814	System, Supply Lines, 20 ft
12	U90815	System, Supply Lines, 28 ft
13	U90665	Husky 1040 (2 Pumps with Supply Hoses), 20 ft, with Electric Proportioner
14	U90664	Husky 1040 (2 Pumps with Supply Hoses), 28 ft, with Electric Proportioner
16	U90739	T2 (2 Pumps with Supply Hoses), 20 ft, with Electric Proportioner
17	U90740	T2 (2 Pumps with Supply Hoses), 28 ft, with Electric Proportioner
19	U90742	T1 (2 Pumps with Supply Hoses), 20 ft, with Electric Proportioner
20	U90743	T1 (2 Pumps with Supply Hoses), 28 ft, with Electric Proportioner
23	U90817	System, Supply Lines, 20 ft, with Electric Proportioner
24	U90818	System, Supply Lines, 28 ft, with Electric Proportioner
25	U90885	System, Supply Lines, Dual Proportioners
26	U90886	System, Supply Lines, Dual Proportioners, with Electric Proportioner
27	U90846	T2 (2 Pumps with Supply Hoses), Dual Proportioners
28	U90847	T2 (2 Pumps with Supply Hoses), Dual Proportioners, with Electric Proportioner

Code H-I	Part	Gun
NG	-	None
01	246101	Fusion Air Purge, Includes AR4242 And AR5252, Qty 1
02	246102	Fusion Air Purge, Includes AR4242 And AR2020, Qty 1
03	247102	Fusion Flat Air Purge 0438, Qty 1
04	295560	GAP Pro Round 02, Qty 1
05	295552	GAP Pro Flat 02, Qty 1
06	247212	Fusion Mechanical Purge 040, Qty 1
07	295542	GX-7 1/90, Qty 1
08	295541	GX-7 DI 4/213, Qty 1
09	295533	D Gun 70, Qty 1
10	CS20RD	Fusion ClearShot, Includes RD2020, Qty 1 Gun
11	CS00RD	Fusion ClearShot, Includes RD0000, Qty 1 Gun
12	CS01RD	Fusion ClearShot, Includes RD0101, Qty 1 Gun
13	CS02RD	Fusion ClearShot, Includes RD0202, Qty 1 Gun
14	CS03RD	Fusion ClearShot, Includes RD0303, Qty 1 Gun
15	CS00WD	Fusion ClearShot, Includes WD0000, Qty 1 Gun
16	CS20F2	Fusion ClearShot, Includes FL2020 and FT0438, Qty 1 Gun
17	CS00F2	Fusion ClearShot, Includes FL0000 and FT0438, Qty 1 Gun
18	CS01F2	Fusion ClearShot, Includes FL0101 and FT0438, Qty 1 Gun
19	CS02F2	Fusion ClearShot, Includes FL0202 and FT0438, Qty 1 Gun
20	U90795	Fusion Air Purge, Includes AR4242 and AR5252, Qty 2
21	U90796	Fusion Air Purge, Includes AR4242 and AR2020, Qty 2
22	U90797	Fusion Flat Air Purge 0438, Qty 2
23	U90798	GAP Pro Round 02, Qty 2
24	U90799	GAP Pro Flat 02, Qty 2
25	U90800	Fusion Mechanical Purge 040, Qty 2
26	U90801	GX-7 1/90, Qty 2
27	U90802	GX-7 DI 4/213, Qty 2
28	U90803	D-Gun 70, Qty 2
29	U90819	Fusion ClearShot, Includes RD2020, Qty 2 Guns

30	U90820	Fusion ClearShot, Includes RD0000, Qty 2 Guns
31	U90821	Fusion ClearShot, Includes RD0101, Qty 2 Guns
32	U90822	Fusion ClearShot, Includes RD0202, Qty 2 Guns
33	U90823	Fusion ClearShot, Includes RD0303, Qty 2 Guns
34	U90824	Fusion ClearShot, Includes WD0000, Qty 2 Guns
35	U90825	Fusion ClearShot, Includes FL2020 and FT0438, Qty 2 Guns
36	U90826	Fusion ClearShot, Includes FL0000 and FT0438, Qty 2 Guns
37	U90827	Fusion ClearShot, Includes FL0101 and FT0438, Qty 2 Guns
38	U90828	Fusion ClearShot, Includes FL0202 and FT0438, Qty 2 Guns
39	U91076	Probler P2 (GCP2R1), Qty 1 Gun
40	U91077	Probler P2 (GCP2R2), Qty 1 Gun
41	U91083	Probler P2 (GCP2R1), Qty 2 Gun
42	U91084	Probler P2 (GCP2R2), Qty 2 Gun
Code J Part Work Benches		
N	-	None
1	U90411	Workbench, Toolbox, Cabinets, Vise, Small
2	U90412	Workbench, Toolbox, Cabinets, Vise, Large
4	189233	None - (Gauges)
5	U90848	Toolbox and Upper Cabinets, No Vise or Lower Cabinets
Code K Part Band Heater(s)		
N	-	None
1	U90045	One Band Heater with Thermostat
2	U90804	Two Band Heaters with Thermostat
Code L Part Air Conditioning		
N	-	None
A	U90356	Rooftop Air Conditioning
B	U90733	Rooftop Air Conditioning, Low Profile, Truck Must Be Lower Than 12 ft 6 in. Overall Height
Code M Part Agitator(s)		
N	-	None
1	U90521	One Twistork Agitator
2	U90805	Two Twistork Agitators

Code N Part Gun Recirculation Kit		
N	-	None
A	U90656	Fusion Gun Circulation System
B	U90657	GAP Pro Circulation System
C	U90793	Fusion Gun Circulation System with Machine Recirculation
F	U90794	GAP Pro Circulation System with Machine Recirculation
G	U90829	ClearShot Gun Circulation System
H	U90830	ClearShot Gun Circulation System with Machine Recirculation
J	U90851	Fusion Gun Circulation System, Dual Proportioners
K	U90852	GAP Pro Circulation System, Dual Proportioners
M	U90854	Fusion Gun Circulation System with Machine Recirculation, Dual Proportioners
P	U90855	GAP Pro Circulation System with Machine Recirculation, Dual Proportioners
Q	U90853	ClearShot Gun Circulation System, Dual Proportioners
R	U90856	ClearShot Gun Circulation System with Machine Recirculation, Dual Proportioners
S	U91078	P2 Gun Circulation System, Single Proportioner
T	U91081	P2 Gun Circulation System with Machine Recirculation, Single Proportioner
U	U91080	P2 Gun Circulation System, Dual Proportioner
V	U91082	P2 Gun Circulation System with Machine Recirculation, Dual Proportioner
Code O Part Machine Recirculation Kit		
N	-	None
A	U90561	Machine Recirculation, 28 ft Trailer or 20-28 ft Truck
B	U90355	Machine Recirculation, 20 ft Trailer or 18 ft Truck
D	U90849	Machine Recirculation, 28 ft Trailer or 20-28 ft Truck, Dual Proportioner
Code P Part Drum Lids		
N	-	None
1	U90053	One Blue Drum Lid
2	U90052	One Red Drum Lid
3	U90413	One Red and One Blue Drum Lid

Code Q-R	Part	Heated Hoses
NH	-	None
01	U90715	160 ft, 2000 psi, (3) 3/8 with Fluid Temperature Sensor, No Scuff-Guard, Non-assembled
02	U90453	210 ft, 2000 psi, (4) 3/8 with Fluid Temperature Sensor, No Scuff-Guard, Non-assembled
03	U90454	310 ft, 2000 psi, (6) 3/8 with Fluid Temperature Sensor, No Scuff-Guard, Non-assembled
04	U90670	310 ft, 2000 psi, (5) 3/8 with Fluid Temperature Sensor, (1) 3/8 No Fluid Temperature Sensor, No Scuff-Guard, Non-assembled
05	U90455	410 ft, 2000 psi, (8) 3/8 with Fluid Temperature Sensor, No Scuff-Guard, Non-assembled
06	U90680	410 ft, 2000 psi, (7) 3/8 with Fluid Temperature Sensor, (1) 3/8 No Fluid Temperature Sensor, No Scuff-Guard, Non-assembled
07	U90716	160 ft, 2000 psi, (3) 3/8 with Fluid Temperature Sensor, Scuff-Guard, Non-assembled
08	U90456	210 ft, 2000 psi, (4) 3/8 with Fluid Temperature Sensor, Scuff-Guard, Non-assembled
09	U90681	310 ft, 2000 psi, (6) 3/8 with Fluid Temperature Sensor, Scuff-Guard, Non-assembled
10	U90457	310 ft, 2000 psi, (5) 3/8 with Fluid Temperature Sensor, (1) 3/8 No Fluid Temperature Sensor, Scuff-Guard, Non-assembled
11	U90682	410 ft, 2000 psi, (8) 3/8 with Fluid Temperature Sensor, Scuff-Guard, Non-assembled
12	U90458	410 ft, 2000 psi, (7) 3/8 with Fluid Temperature Sensor, (1) 3/8 No Fluid Temperature Sensor, Scuff-Guard, Non-assembled
13	U90717	160 ft, 2000 psi, (3) 3/8 with Fluid Temperature Sensor, No Scuff-Guard, Assembled
14	U90465	210 ft, 2000 psi, (4) 3/8 with Fluid Temperature Sensor, No Scuff-Guard, Assembled
15	U90466	310 ft, 2000 psi, (6) 3/8 with Fluid Temperature Sensor, No Scuff-Guard, Assembled
16	U90683	310 ft, 2000 psi, (5) 3/8 with Fluid Temperature Sensor, (1) 3/8 No Fluid Temperature Sensor, No Scuff-Guard, Assembled
17	U90467	410 ft, 2000 psi, (8) 3/8 with Fluid Temperature Sensor, No Scuff-Guard, Assembled



18	U90684	410 ft, 2000 psi, (7) 3/8 with Fluid Temperature Sensor, (1) 3/8 No Fluid Temperature Sensor, No Scuff-Guard, Assembled
19	U90718	160 ft, 2000 psi, (3) 3/8 with Fluid Temperature Sensor, Scuff-Guard, Assembled
20	U90468	210 ft, 2000 psi, (4) 3/8 with Fluid Temperature Sensor, Scuff-Guard, Assembled
21	U90685	310 ft, 2000 psi, (6) 3/8 with Fluid Temperature Sensor, Scuff-Guard, Assembled
22	U90469	310 ft, 2000 psi, (5) 3/8 with Fluid Temperature Sensor, (1) 3/8 No Fluid Temperature Sensor, Scuff-Guard, Assembled
23	U90686	410 ft, 2000 psi, (8) 3/8 with Fluid Temperature Sensor, Scuff-Guard, Assembled
24	U90470	410 ft, 2000 psi, (7) 3/8 with Fluid Temperature Sensor, (1) 3/8 No Fluid Temperature Sensor, Scuff-Guard, Assembled
25	U90719	160 ft, 3500 psi, (3) 3/8 with Fluid Temperature Sensor, No Scuff-Guard, Assembled
26	U90471	210 ft, 3500 psi, (4) 3/8 with Fluid Temperature Sensor, No Scuff-Guard, Assembled
27	U90472	310 ft, 3500 psi, (4) 1/2 with Fluid Temperature Sensor, (2) 3/8 with Fluid Temperature Sensor, No Scuff-Guard, Assembled
28	U90473	410 ft, 3500 psi, (6) 1/2 with Fluid Temperature Sensor, (2) 3/8 with Fluid Temperature Sensor, No Scuff-Guard, Assembled
29	U90720	160 ft, 3500 psi, (3) 3/8 with Fluid Temperature Sensor, Scuff-Guard, Assembled
30	U90474	210 ft, 3500 psi, (4) 3/8 with Fluid Temperature Sensor, Scuff-Guard, Assembled
31	U90475	310 ft, 3500 psi, (4) 1/2 with Fluid Temperature Sensor, (2) 3/8 with Fluid Temperature Sensor, Scuff-Guard, Assembled
32	U90476	410 ft, 3500 psi, (6) 1/2 with Fluid Temperature Sensor, (2) 3/8 with Fluid Temperature Sensor, Scuff-Guard, Assembled
33	U90721	160 ft, 3500 psi, (4) 3/8 with Fluid Temperature Sensor, No Scuff-Guard, Non-assembled
34	U90459	210 ft, 3500 psi, (4) 3/8 with Fluid Temperature Sensor, Scuff-Guard, Non-assembled
35	U90460	310 ft, 3500 psi, (4) 1/2 with Fluid Temperature Sensor, (2) 3/8 with Fluid Temperature Sensor, No Scuff-Guard, Non-assembled
36	U90461	410 ft, 3500 psi, (6) 1/2 with Fluid Temperature Sensor, (2) 3/8 with Fluid Temperature Sensor, No Scuff-Guard, Non-assembled






37	U90722	160 ft, 3500 psi, (4) 3/8 with Fluid Temperature Sensor, Scuff-Guard, Non-assembled
38	U90462	210 ft, 3500 psi, (4) 3/8 with Fluid Temperature Sensor, Scuff-Guard, Non-assembled
39	U90463	310 ft, 3500 psi, (4) 1/2 with Fluid Temperature Sensor, (2) 3/8 with Fluid Temperature Sensor, Scuff-Guard, Non-assembled
40	U90464	410 ft, 3500 psi, (6) 1/2 with Fluid Temperature Sensor, (2) 3/8 with Fluid Temperature Sensor, Scuff-Guard, Non-assembled
41	U90857	(2) 160 ft, 2000 psi, (3) 3/8 with Fluid Temperature Sensor, No Scuff-Guard, Non-assembled
42	U90861	(2) 160 ft, 2000 psi, (3) 3/8 with Fluid Temperature Sensor, Scuff-Guard, Non-assembled
43	U90865	(2) 160 ft, 2000 psi, (3) 3/8 with Fluid Temperature Sensor, No Scuff-Guard, Assembled
44	U90869	(2) 160 ft, 2000 psi, (3) 3/8 with Fluid Temperature Sensor, Scuff-Guard, Assembled
45	U90858	(2) 210 ft, 2000 psi, (4) 3/8 with Fluid Temperature Sensor, No Scuff-Guard, Non-assembled
46	U90862	(2) 210 ft, 2000 psi, (4) 3/8 with Fluid Temperature Sensor, Scuff-Guard, Non-assembled
47	U90866	(2) 210 ft, 2000 psi, (4) 3/8 with Fluid Temperature Sensor, No Scuff-Guard, Assembled
48	U90870	(2) 210 ft, 2000 psi, (4) 3/8 with Fluid Temperature Sensor, Scuff-Guard, Assembled
49	U90859	(2) 310 ft, 2000 psi, (6) 3/8 with Fluid Temperature Sensor, No Scuff-Guard, Non-assembled
50	U90860	(2) 310 ft, 2000 psi, (5) 3/8 with Fluid Temperature Sensor, (1) 3/8 No Fluid Temperature Sensor, No Scuff-Guard, Non-assembled
51	U90863	(2) 310 ft, 2000 psi, (6) 3/8 with Fluid Temperature Sensor, Scuff-Guard, Non-assembled
52	U90864	(2) 310 ft, 2000 psi, (5) 3/8 with Fluid Temperature Sensor, (1) 3/8 No Fluid Temperature Sensor, Scuff-Guard, Non-assembled
53	U90867	(2) 310 ft, 2000 psi, (6) 3/8 with Fluid Temperature Sensor, No Scuff-Guard, Assembled
54	U90868	(2) 310 ft, 2000 psi, (5) 3/8 with Fluid Temperature Sensor, (1) 3/8 No Fluid Temperature Sensor, No Scuff-Guard, Assembled

55	U90871	(2) 310 ft, 2000 psi, (6) 3/8 with Fluid Temperature Sensor, Scuff-Guard, Assembled
56	U90872	(2) 310 ft, 2000 psi, (5) 3/8 with Fluid Temperature Sensor, (1) 3/8 No Fluid Temperature Sensor, Scuff-Guard, Assembled
Code S	Part	Breathable Air System
N	-	None
B	U91014	One 300 ft Breathing System, Includes One Mask, Lens, One 300 ft Hose, Hose Hanger, Service Kit
D	U91015	Two 300 ft Breathing Systems, Includes (2) Masks, (50) Lens, (2) 300 ft Hoses, (2) Hose Hangers, (1) Service Kit






# Warnings

						
<p>For complete warnings for installed components, see supplied manuals. See <b>Related Manuals</b> on page 3.</p>						

The following warnings are for the setup, use, grounding, maintenance, and repair of this equipment. The exclamation point symbol alerts you to a general warning and the hazard symbol refers to procedure-specific risk. Refer back to these warnings. Additional, product-specific warnings may be found throughout the body of this manual where applicable.

 <b>WARNING</b>	
	<p><b>FIRE AND EXPLOSION HAZARD</b></p> <p>Flammable fumes, such as solvent and paint fumes, in <b>work area</b> can ignite or explode. To help prevent fire and explosion:</p> <ul style="list-style-type: none"> <li>• Use equipment only in well ventilated area.</li> <li>• Eliminate all ignition sources; such as pilot lights, cigarettes, portable electric lamps, and plastic drop cloths (potential static arc).</li> <li>• Keep work area free of debris, including solvent, rags and gasoline.</li> <li>• Do not plug or unplug power cords, or turn power or light switches on or off when flammable fumes are present.</li> <li>• Ground all equipment in the work area. See <b>Grounding</b> instructions.</li> <li>• Use only grounded hoses.</li> <li>• Hold gun firmly to side of grounded pail when triggering into pail.</li> <li>• If there is static sparking or you feel a shock, <b>stop operation immediately</b>. Do not use equipment until you identify and correct the problem.</li> <li>• Keep a working fire extinguisher in the work area.</li> </ul>
	<p><b>EQUIPMENT MISUSE HAZARD</b></p> <p>Misuse can cause death or serious injury.</p> <ul style="list-style-type: none"> <li>• Do not operate the unit when fatigued or under the influence of drugs or alcohol.</li> <li>• Do not exceed the maximum working pressure or temperature rating of the lowest rated system component. See <b>Technical Data</b> in all equipment manuals.</li> <li>• Use fluids and solvents that are compatible with equipment wetted parts. See <b>Technical Data</b> in all equipment manuals. Read fluid and solvent manufacturer's warnings. For complete information about your material, request MSDS forms from distributor or retailer.</li> <li>• Check equipment daily. Repair or replace worn or damaged parts immediately with genuine manufacturer's replacement parts only.</li> <li>• Do not alter or modify equipment.</li> <li>• Use equipment only for its intended purpose. Call your distributor for information.</li> <li>• Route hoses and cables away from traffic areas, sharp edges, moving parts, and hot surfaces.</li> <li>• Do not kink or over bend hoses or use hoses to pull equipment.</li> <li>• Keep children and animals away from work area.</li> <li>• Comply with all applicable safety regulations.</li> </ul>

# ! WARNING

	<p><b>ELECTRIC SHOCK HAZARD</b></p> <p>Improper grounding, setup, or usage of the system can cause electric shock.</p> <ul style="list-style-type: none"> <li>• Turn off and disconnect power at main switch before disconnecting any cables and before servicing equipment.</li> <li>• Connect only to grounded power source.</li> <li>• All electrical wiring must be done by a qualified electrician and comply with all local codes and regulations.</li> </ul>
	<p><b>CARBON MONOXIDE HAZARD</b></p> <p>Exhaust contains poisonous carbon monoxide, which is colorless and odorless. Breathing carbon monoxide can cause death. Do not operate in an enclosed area.</p>
	<p><b>TOXIC FLUID OR FUMES HAZARD</b></p> <p>Toxic fluids or fumes can cause serious injury or death if splashed in the eyes or on skin, inhaled, or swallowed.</p> <ul style="list-style-type: none"> <li>• Read MSDS's to know the specific hazards of the fluids you are using.</li> <li>• Store hazardous fluid in approved containers, and dispose of it according to applicable guidelines.</li> <li>• Always wear impervious gloves when spraying or cleaning equipment.</li> </ul>
	<p><b>PERSONAL PROTECTIVE EQUIPMENT</b></p> <p>You must wear appropriate protective equipment when operating, servicing, or when in the operating area of the equipment to help protect you from serious injury, including eye injury, inhalation of toxic fumes, burns, and hearing loss. This equipment includes but is not limited to:</p> <ul style="list-style-type: none"> <li>• Protective eyewear</li> <li>• Clothing and respirator as recommended by the fluid and solvent manufacturer</li> <li>• Gloves</li> <li>• Hearing protection</li> </ul>
	<p><b>BURN HAZARD</b></p> <p>Equipment surfaces and fluid that's heated can become very hot during operation. To avoid severe burns, do not touch hot fluid or equipment. Wait until equipment/fluid has cooled completely.</p>

# Component Identification

## 20 ft Trailer

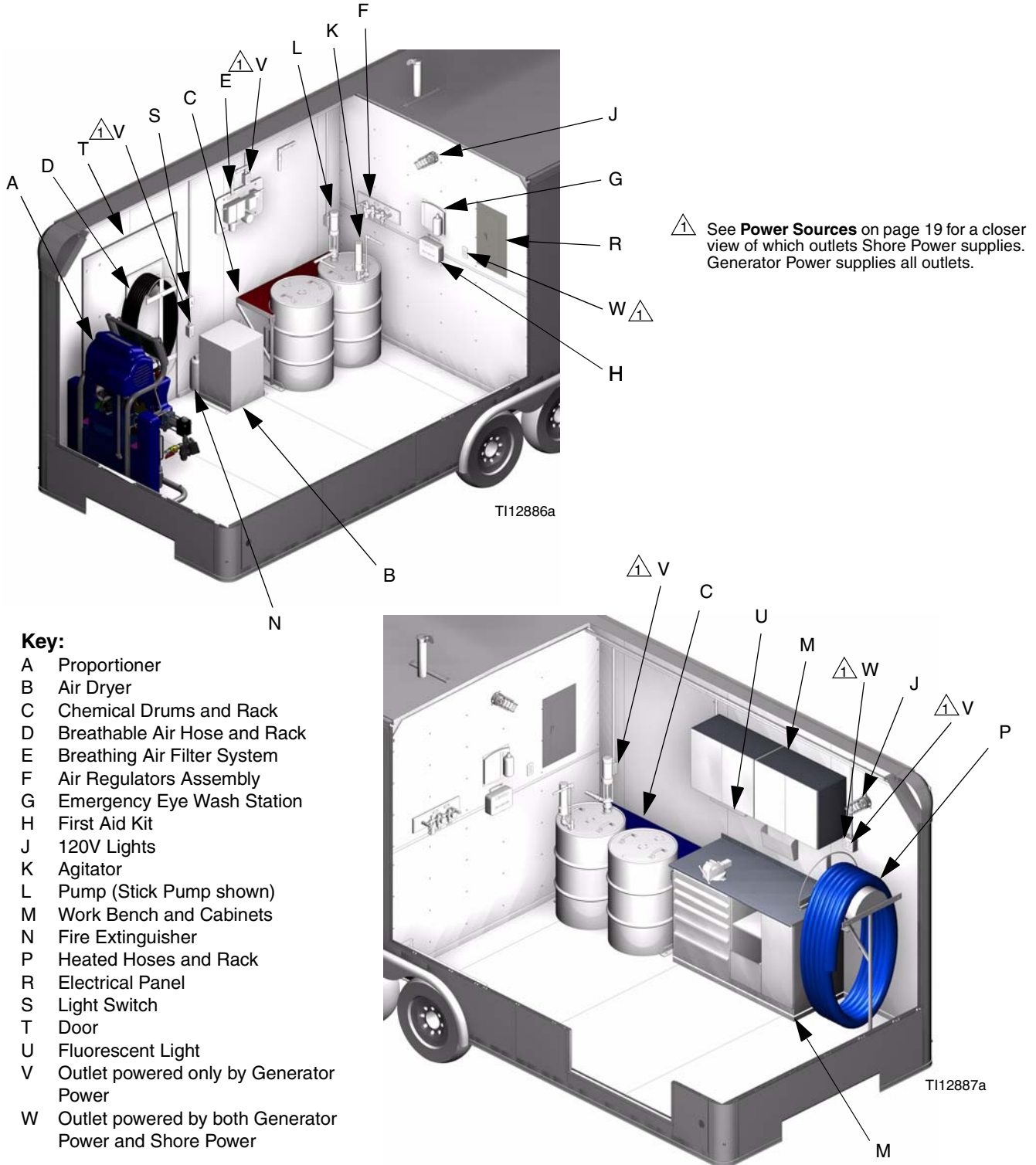
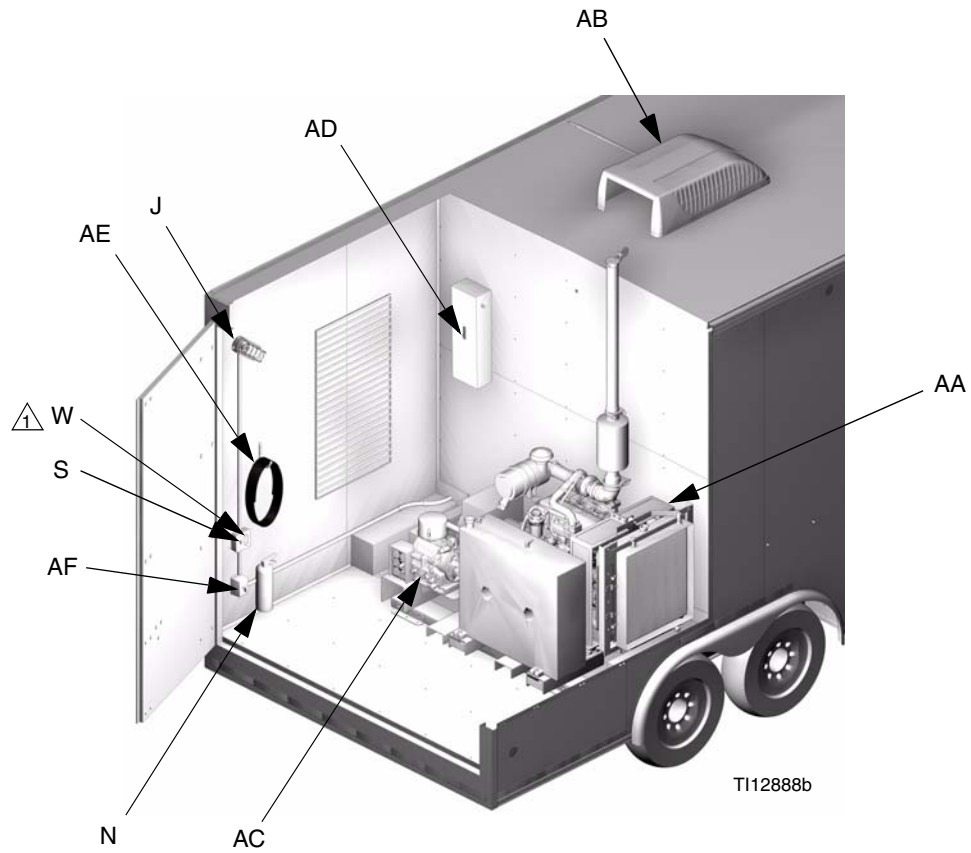
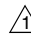


FIG. 1: Main Room

## 20 ft Trailer, continued



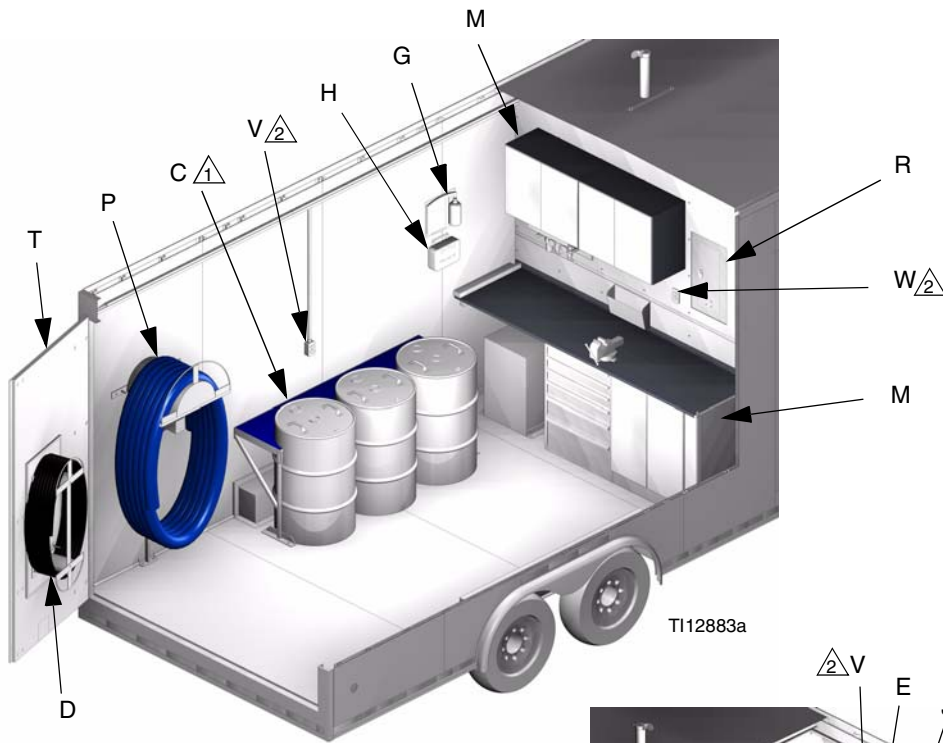
 See **Power Sources** on page 19 for a closer view of which outlets Shore Power supplies. Generator Power supplies all outlets.

**Key:**

- AA Generator
- AB Air Conditioner
- AC Air Compressor
- AD Main Breaker
- AE Shore Power Extension Cord
- AF Shore/Generator Power Switch

**FIG. 2: Generator Room**

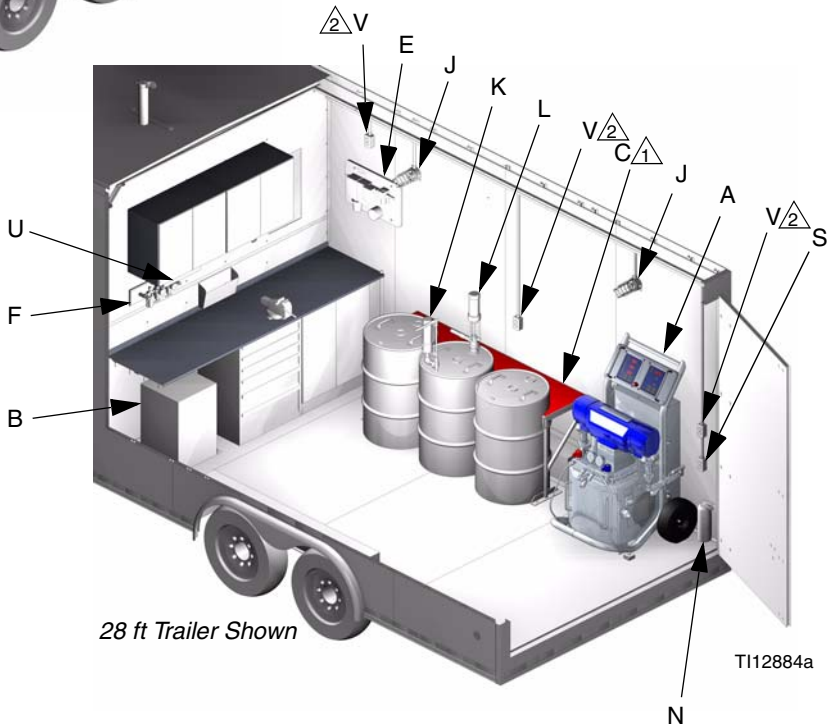
# Single Proportioner 28 ft Trailer and Truck Box



28 ft Trailer Shown

**Key:**

- A Proportioner
- B Air Dryer
- C Chemical Drums and Rack
- D Breathable Air Hose and Rack
- E Breathing Air Filter System
- F Air Regulators Assembly
- G Emergency Eye Wash Station
- H First Aid Kit
- J 120V Lights
- K Agitator
- L Pump (Stick Pump shown)
- M Work Bench and Cabinets
- N Fire Extinguisher
- P Heated Hoses and Rack
- R Electrical Panel
- S Light Switch
- T Door
- U Fluorescent Light
- V Outlet powered only by Generator Power
- W Outlet powered by both Generator Power and Shore Power



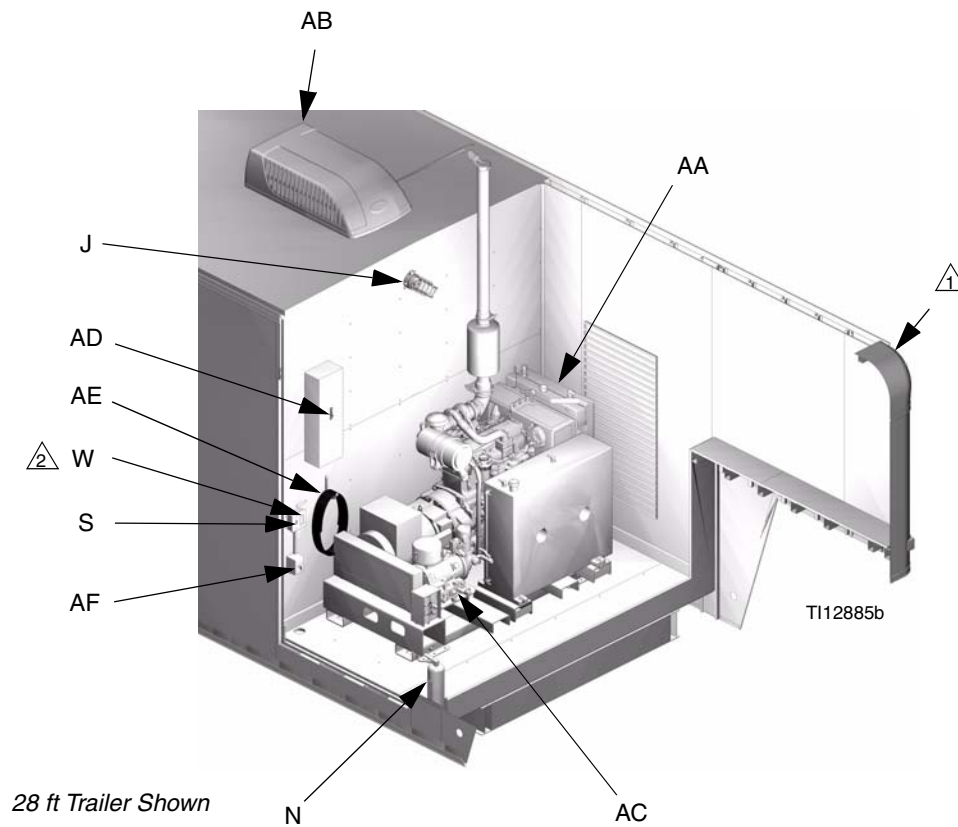
28 ft Trailer Shown

1 The 18 ft truck box has a two-drum chemical rack instead of a three-drum chemical rack. All other truck boxes have a three drum chemical rack.

2 See **Power Sources** on page 19 for a closer view of which outlets Shore Power supplies. Generator Power supplies all outlets.

**FIG. 3: Main Room**

## Single Proportioner 28 ft Trailer and Truck Box continued



① Only the 28 ft trailer has the gooseneck area.

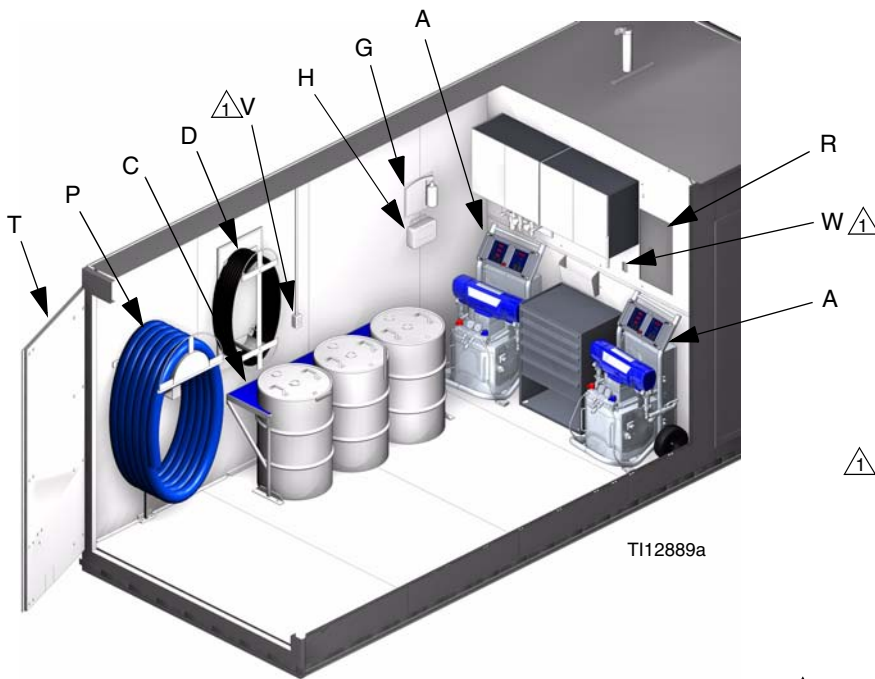
② See **Power Sources** on page 19 for a closer view of which outlets Shore Power supplies. Generator Power supplies all outlets.

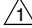
**Key:**

- AA Generator
- AB Air Conditioner
- AC Air Compressor
- AD Main Breaker
- AE Shore Power Extension Cord
- AF Shore/Generator Power Switch

**FIG. 4: Generator Room**

# Dual Proportioner 28 ft Trailer and 20-28 ft Truck Box

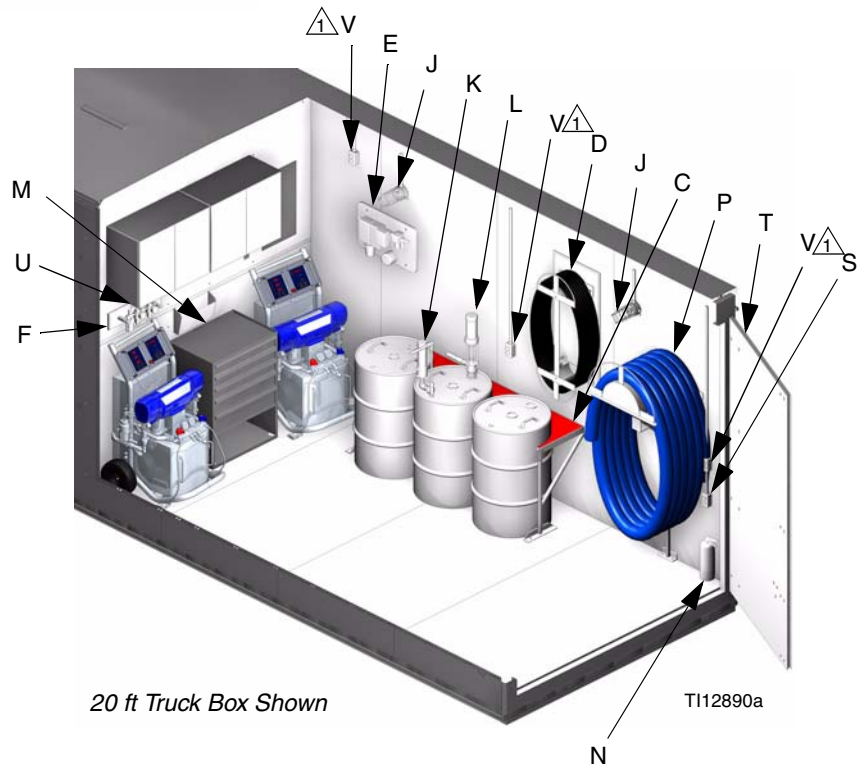


 See **Power Sources** on page 19 for a closer view of which outlets Shore Power supplies. Generator Power supplies all outlets.

20 ft Truck Box Shown

**Key:**

- A Proportioner
- B Air Dryer
- C Chemical Drums and Rack
- D Breathable Air Hose and Rack
- E Breathing Air Filter System
- F Air Regulators Assembly
- G Emergency Eye Wash Station
- H First Aid Kit
- J 120V Lights
- K Agitator
- L Pump (Stick Pump shown)
- M Tool Box and Cabinets
- N Fire Extinguisher
- P Heated Hoses and Rack
- R Electrical Panel
- S Light Switch
- T Door
- U Fluorescent Light
- V Outlet powered only by Generator Power
- W Outlet powered by both Generator Power and Shore Power

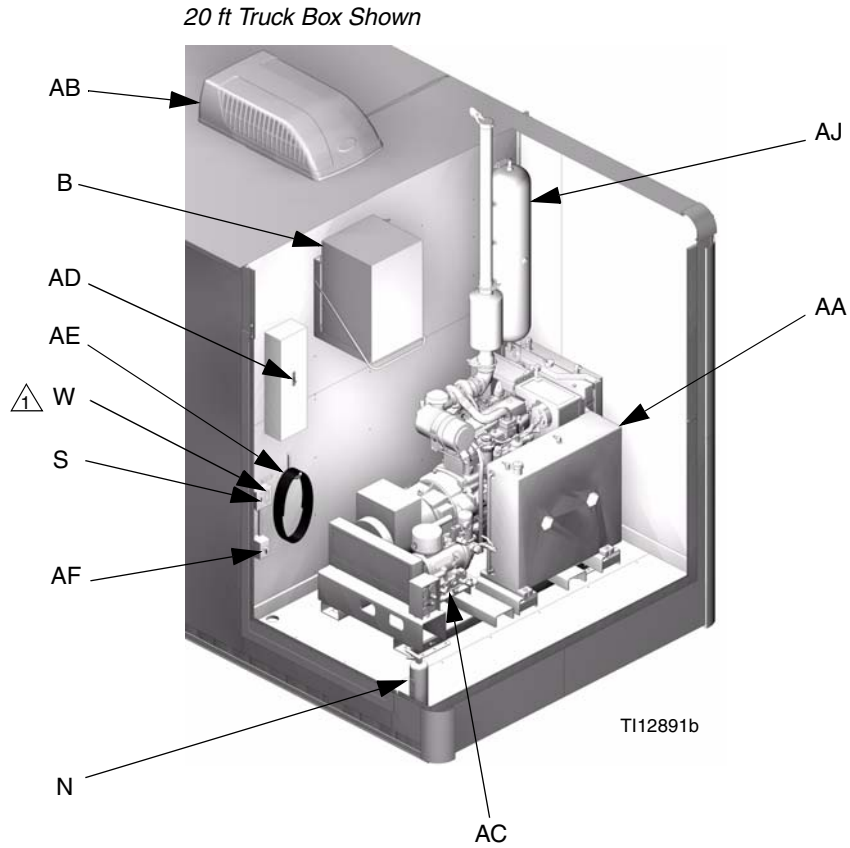


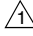
20 ft Truck Box Shown

**FIG. 5: Main Room**



# Dual Proportioner 28 ft Trailer and 20-28 ft Truck Box, continued



 See **Power Sources** on page 19 for a closer view of which outlets Shore Power supplies. Generator Power supplies all outlets.

**Key:**

- AA Generator
- AB Air Conditioner
- AC Air Compressor
- AD Main Breaker
- AE Shore Power Extension Cord
- AF Shore/Generator Power Switch
- AG Air Tank

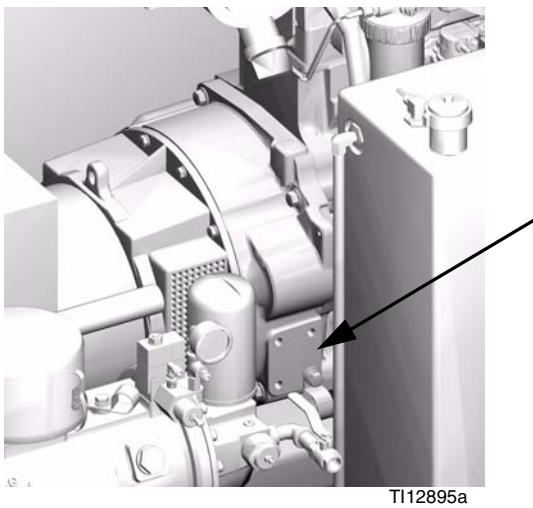
**FIG. 6: Generator Room**

## Grounding

See grounding procedure and related warnings in supplied manuals. See <b>Related Manuals</b> on page 3.						

The trailer must be grounded. In the event of an electrical short circuit, grounding reduces the risk of electric shock by providing an escape wire for the electric current.

When grounding the trailer, ground to one of the bolt holes on the rear, side of generator block. See FIG. 7. Have a qualified electrician connect the grounding wire to the generator. Check with national electric code for grounding of mobile electric units. Be sure your installation complies with all National, State, and Local safety and fire codes.



**FIG. 7: Generator Grounding Point**

## Transporting Trailer

<ul style="list-style-type: none"> <li>• Do not run generator while trailer is in motion.</li> <li>• Do not exceed the gross vehicle weight requirement. See <b>Technical Data</b> on page 45.</li> <li>• See warnings in trailer manual. See <b>Related Manuals</b> on page 3.</li> </ul>						

1. Read trailer manual before transporting or loading the trailer. See **Related Manuals** on page 3.
2. Follow **Pressure Relief Procedure**, page 26.
3. Follow **Short-Term Shutdown** procedure, page 28.
4. Ensure that drums are properly secured into drum holders. Tighten drum straps to ensure that they don't move during transport.
5. Lock tool cabinet and secure all loose articles in trailer.
6. Ensure all hoses are completely in trailer/truck box and on support racks.
7. Shut and lock all trailer doors.

# Setup



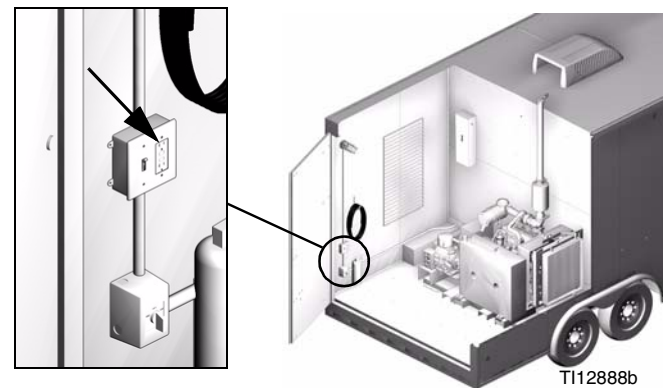
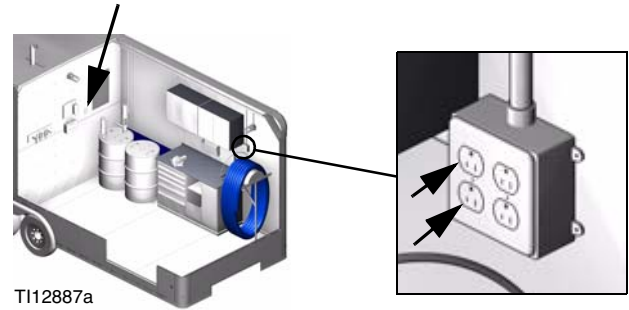
## Power Sources

The trailer has two options for power sources. Generator Power uses the electricity provided by the generator to provide power to all of the components and outlets in the trailer except for the 12V lights. Shore Power uses electricity from an external source, supplied through the Shore Power extension cord, to provide power to certain outlets in the trailer.

**NOTE:** Shore Power outlets are labeled with a plaque.

### Outlets Powered by Shore Power in 20 ft Trailers

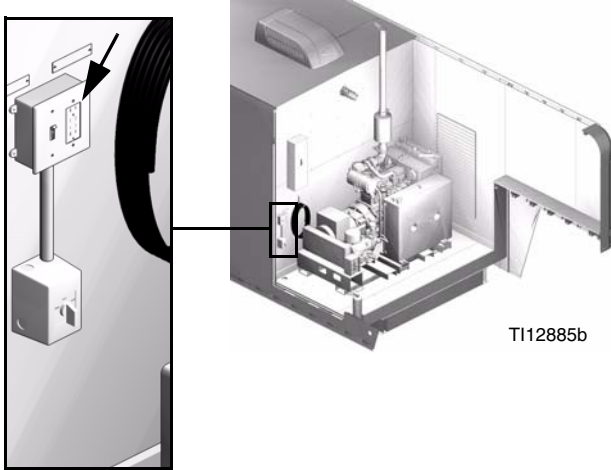
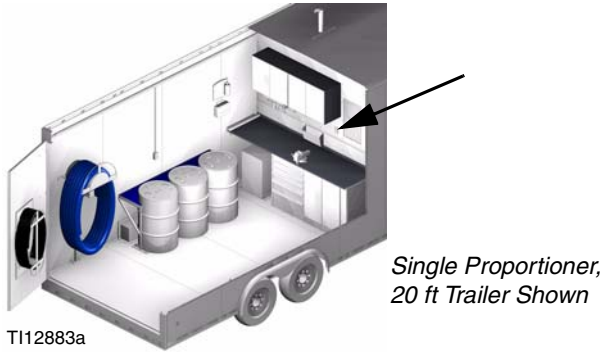
- The left two outlets of the 4-gang outlet in the main room, on the driver side wall of the trailer
- The two-plug outlet in the main room to the left of the electrical panel, on the partition wall
- The outlet (W) in the generator room



**FIG. 8: Outlets Powered by Shore Power in 20 ft Trailers**

### Outlets Powered by Shore Power in 28 ft Trailer and Modified Truck Boxes

- The two-plug outlet in the main room to the left of the electrical panel, on the partition wall
- The outlet (W) in the generator room

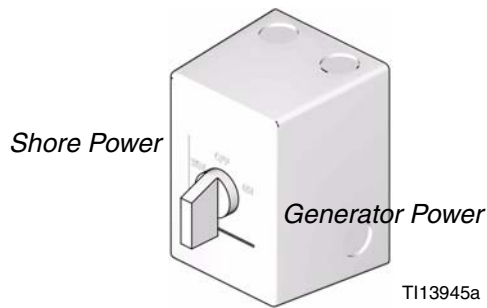


**FIG. 9: Outlets Powered by Shore Power in 28 ft Trailers**

## Shore Power

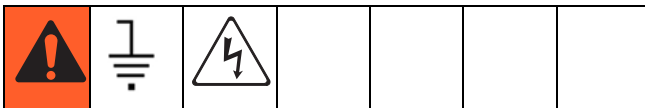
Shore Power can be used to provide power to certain outlets in the trailer. The powered outlets can be used to run low amperage items.

1. Turn main breaker off.
2. Turn generator off.
3. Turn Shore/Generator Power Switch (AF) to the "OFF" position. See FIG. 10.

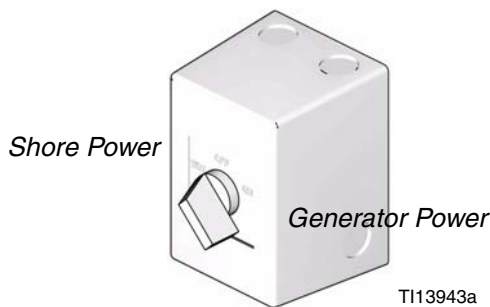


**FIG. 10**

4. Route Shore Power extension cord (AE) out of the trailer through the outlet in the floor below the Shore Power rack.



5. Plug Shore Power extension cord (AE) into a grounded 110 V outlet.
6. Turn Shore/Generator Power Switch (AF) to the "SHORE" position. See FIG. 11.



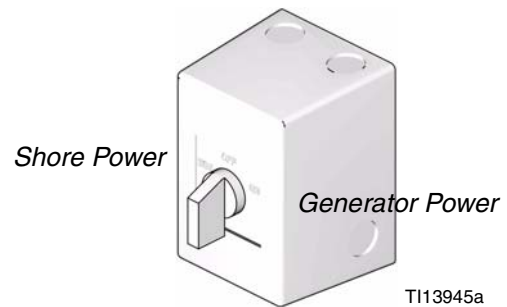
**FIG. 11: Shore Power Setup**

7. Turn on main breaker.

## Generator Power

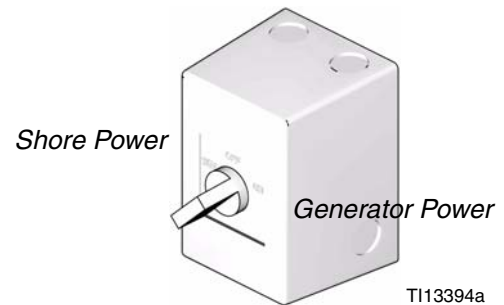
When using Generator Power, all outlets in the trailer are hot, including Shore Power outlets.

1. Turn off main breaker.
2. Turn Shore/Generator Power Switch (AF) to the "OFF" position. See FIG. 12.



**FIG. 12**

3. Start generator. See **Startup** instructions on page 24.
4. Turn Shore/Generator Power Switch (AF) to the "GEN" position. See FIG. 13.



**FIG. 13: Generator Power Setup**

5. Turn on main breaker in the generator room.

## Air Regulators Assembly

The left air pressure regulator on the air regulators assembly (F) supplies air to the transfer pump and should be set according to air inlet recommendations in the transfer pump manual. Pump fluid outlet pressure may vary based on air inlet pressure. Verify the fluid outlet pressure meets proportioner fluid inlet recommendations in Proportioner manual. See **Related Manuals** on page 3.

The right air pressure regulator supplies air to gun via the proportioner and should be set according to air inlet recommendations in the gun manual. See **Related Manuals** on page 3. Verify both regulators are set correctly. Fill ISO pump lube reservoir as required.

## Hose Connections



See **Simplified Pneumatic Schematic** on page 38, and **Simplified Fluid Schematics** on page 40.

For more information, see Heated Hose manual and Circulation and Return Tube Kits manual listed in **Related Manuals** section on page 3.

## Proportioner and Gun

See Proportioner and Gun manuals for related setup instructions. See **Related Manuals** on page 3.

## Feed System

						
See setup instructions and related warnings in supplied manuals. See <b>Related Manuals</b> on page 3.						



<b>NOTICE</b>
To prevent cross-contamination of the equipment's wetted parts, <b>never</b> interchange component A (isocyanate) and component B (resin) parts. Always use the red drum rack for ISO and the blue drum rack for resin.

1. Install drums into rack (C). Tighten drum straps.
2. Install drum lids if included.
3. Install agitator, stick pumps, and/or riser tubes if included.
4. Attach feed system hoses.

## Air Conditioning



1. Verify Air Conditioning breaker is in the “ON” position.
2. See setup instructions in Air Conditioning manual. See **Related Manuals** on page 3.

## Breathable Air System

						
See setup instructions and related warnings in supplied manuals. See <b>Related Manuals</b> on page 3.						

1. Verify breathing air filter system is plugged in.
2. Set setup instructions in Breathable Air System manual. See **Related Manuals** on page 3.

## Band Heaters



						
See setup instructions and related warnings in supplied manuals. See <b>Related Manuals</b> on page 3.						

### NOTICE

Band heaters may char material if temperature setting is too high.

1. Wrap the band heaters around the drums and connect velcro straps to hold the heaters in place.
2. Verify the band heater power cable is plugged in.
3. See setup instructions in Band Heaters manual. See **Related Manuals** on page 3.

# Startup

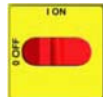
						
See startup instructions and related warnings in supplied manuals. See <b>Related Manuals</b> on page 3.						

## Prepare for Generator Startup

1. Ensure main breaker for the generator is in the OFF position. The main breaker is the only breaker located in the generator room.
2. Turn Shore/Generator Power Switch (AF) to the "GEN" position.
3. With trailer level, check fuel, oil, and coolant fluid levels on generator.

<b>NOTICE</b>
To prevent damage to spray machine and generator, do not run generator out of fuel. Follow shut down procedure on page 28 when fuel level is getting low.

4. Check oil in compressor.
5. Check oil level in lube cup on air regulators assembly.
6. Close water bleed valve on compressor.
7. Ensure proportioner is turned off.

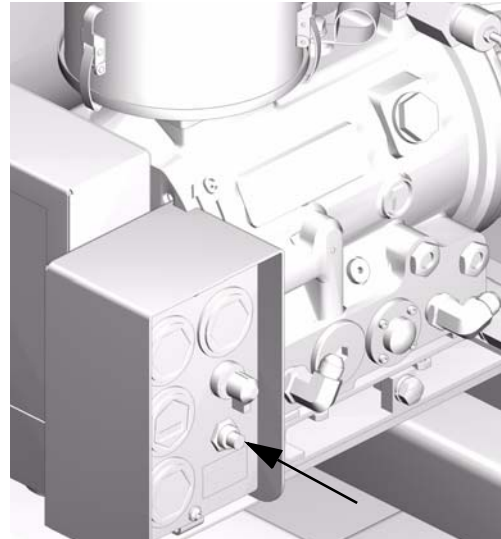


## Start Generator



**NOTE:** Refer to generator operator's manual for cold weather startup instructions.

8. Press and hold bypass button.



T112894a1

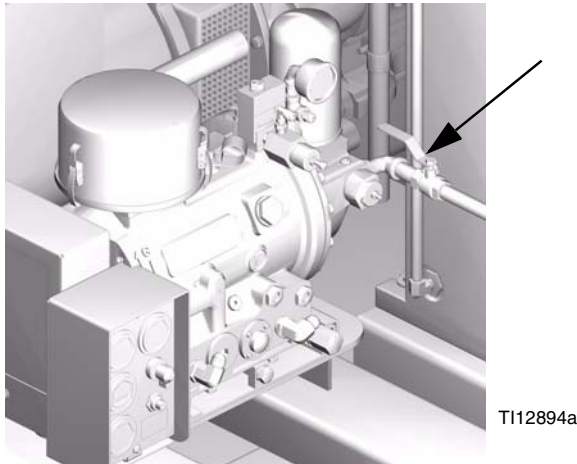
**FIG. 14: Generator Bypass Button**

9. Turn ignition switch to start position until engine starts.
10. Release ignition switch and bypass button.
11. Wait at least five minutes after starting generator for readout on digital voltage/amp meter in main room to stabilize.



**Start Trailer Components**

12. Turn on main breaker in the generator room.
13. Verify voltage and frequency displayed on the digital voltage/amp meter. With engine at normal operating temperature and not under load, voltage should be 220V +/- 1% and frequency should be 60Hz +5%/-2%.
14. Start proportioner. See Proportioner manual for instructions, see **Related Manuals** on page 3.
15. Start compressor.  
**For all non-screw compressors**, engage starter. Verify readout on air pressure gauge on compressor.  
**For screw compressors**, open ball valve on compressor. See FIG. 15.






**FIG. 15: Screw Compressor Ball Valve**

16. Verify air dryer is on. See **Related Manuals** on page 3.
17. Turn on agitators and pumps. See **Related Manuals** on page 3.

<p><b>Foam Resins with 245fa Blowing Agents</b>                  New foam blowing agents will froth at temperatures above 90°F (33°C) when not under pressure, especially if agitated. Maintain proper temperature inside trailer.</p>						

18. If required, see **Related Manuals** on page 3 for other non-Graco component startup instructions.

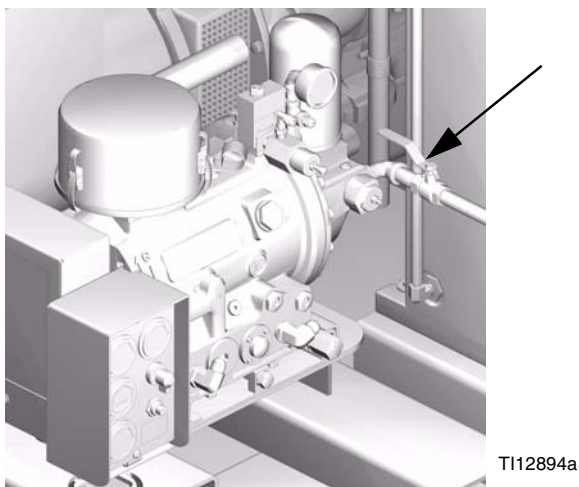
# Pressure Relief Procedure

						
See pressure relief procedure and related warnings in supplied manuals. See <b>Related Manuals</b> on page 3.						

Generator pressure must be relieved prior to performing generator maintenance or repair. See generator manual.

## Air Pressure Relief

1. **For rotary compressors**, open ball valve on compressor. See FIG. 16.  
**For all other compressors**, open service valve on compressor.



**FIG. 16: Rotary Compressor Ball Valve**

2. **For dual proportioner Spray Rigs**, open water bleed valve located on the bottom of the air tank (AG).



## Chemical Pressure Relief

1. Turn off feed pumps and agitators if used.
2. Turn off proportioner.
3. Relieve pressure in gun and perform gun shutdown procedure. See Gun manual. See **Related Manuals** on page 3.
4. Relieve pressure in proportioner. See Proportioner manual. See **Related Manuals** on page 3.

## Hydraulic Pressure Relief

Only the Hydraulic Reactor has hydraulic pressure. See the Hydraulic Reactor manual for hydraulic pressure relief procedure.

# Operation

						
See operation instructions and related warnings in supplied manuals. See <b>Related Manuals</b> on page 3.						

## Trailer Interior Lights

### 120V Lights

The trailer interior lights on the walls and the fluorescent light under the cabinet (if installed) can be powered by either Generator or Shore Power. To use these lights, setup Generator Power or Shore Power, see **Setup** on page 19. There is one light switch for the 120V lights in each room.

### 12V Lights

**NOTE:** Modified truck boxes will only include 12V lights if the customer-provided truck box comes with 12V lights.

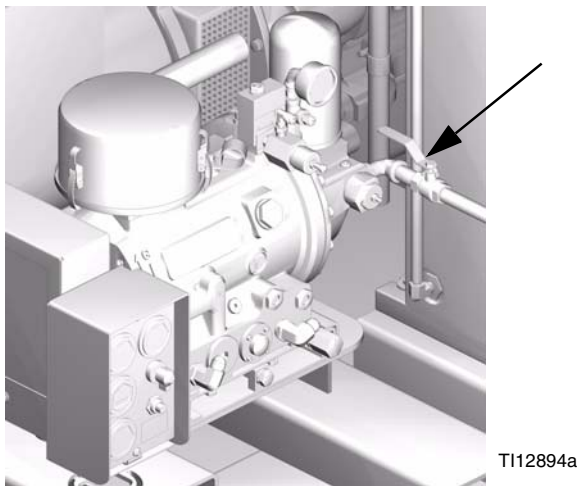
The trailer interior lights on the ceiling are powered by the truck through the 7-way connector. To use the 12V lights, connect the trailer 7-way connector to the truck. There is one main light switch for the 12V lights in each room. There is also a switch on each light.

# Shutdown

See shutdown instructions and related warnings in supplied manuals. See <b>Related Manuals</b> on page 3.						

## Short-Term Shutdown

1. Turn off proportioner. Refer to proportioner manual for shutdown procedure. See **Related Manuals** on page 3.
2. Relieve chemical pressure. See **Pressure Relief Procedure** on page 26.
3. Properly seal supply drums.
4. Ensure desiccant dryer is in proper working condition.
5. Turn off air compressor.
  - **For screw compressors**, close the ball valve. See FIG. 17, ball valve is shown open.



**FIG. 17: Screw Compressor Ball Valve**

- **For all other compressors**, turn switch on starter to the off position.
6. Relieve air pressure. See **Pressure Relief Procedure** on page 26.
  7. Turn off main breaker.

8. Run generator unloaded for at least two minutes to allow engine to cool. See generator operator's manual for details.
9. Turn generator ignition switch to the off position.
10. Turn Shore/Generator Power Switch (AF) to the "OFF" position.

## Long-Term Shutdown

**NOTE:** Perform long-term shutdown when Spray Rig will not be used for longer than 90 days.



1. Follow steps 1 through 7 of **Short-Term Shutdown**.
2. Flush pump, feed system hoses, proportioner, and spray gun with mesamoll or compatible solvent. Follow flushing procedure in each component's manual. See **Related Manuals** on page 3.

**NOTICE**

Isocyanate crystallization may result if proper flushing is not performed.



3. Remove pumps, agitators, and supply hoses from feed system.
4. Clean agitator with mesamoll or compatible solvent.
5. Cap off the drums to provide air-tight seal.
6. Turn Shore/Generator Power Switch (AF) to the "OFF" position.
7. Follow long-term storage procedure in compressor manual.
8. Follow long-term storage procedure in generator manual.

# Maintenance

						
See maintenance instructions and related warnings in supplied manuals. See <b>Related Manuals</b> on page 3.						

**NOTE:** Follow suggested maintenance schedule for all components in their respective owner’s manuals. See **Related Manuals** on page 3.

# Troubleshooting

						
See troubleshooting instructions and related warnings in supplied manuals. See <b>Related Manuals</b> on page 3.						

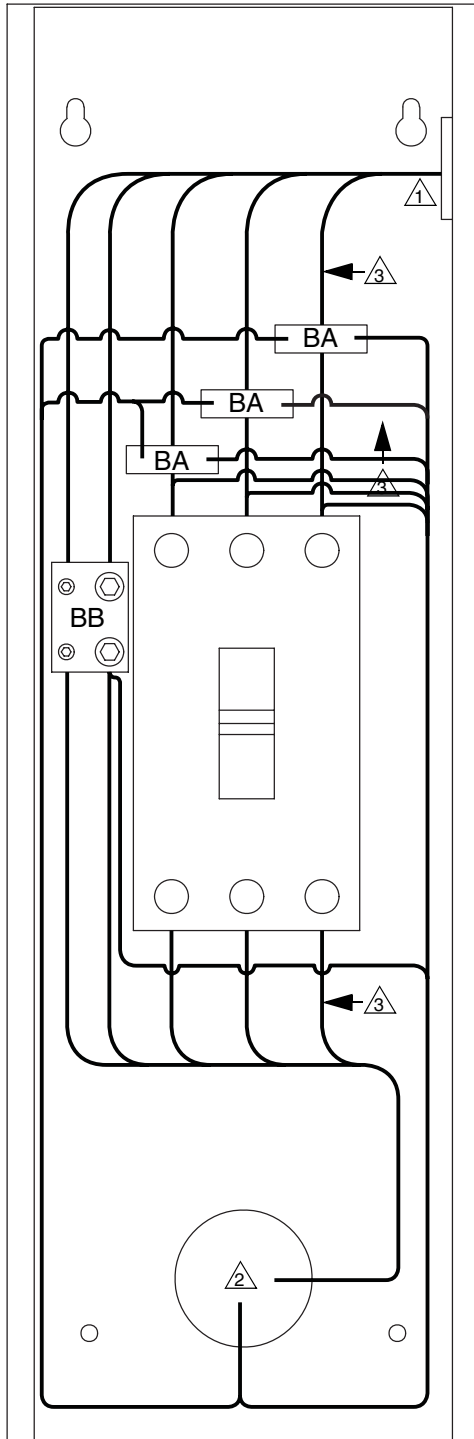
Contact your authorized Graco distributor for service and repairs.

Problem	Cause	Solution
Component will not turn on	Component is not plugged in	<ul style="list-style-type: none"> <li>Plug in the component</li> </ul>
	Component is plugged into a Generator Power supplied outlet and Generator Power is not selected  OR Component is plugged into a Shore Power supplied outlet and Shore Power is not selected	<ul style="list-style-type: none"> <li>Plug component into a hot outlet. See <b>Setup</b> on page 19 for a list of which outlets are powered by Generator Power and Shore Power.</li> </ul>
	Component breaker is off	<ol style="list-style-type: none"> <li>Check for tripped breaker.</li> <li>Remove cause of tripped breaker.</li> <li>Turn breaker on.</li> </ol>

# Simplified Electrical Schematics

NOTE: Modified truck box wiring varies by trailer.

## Main Breaker, All Trailers

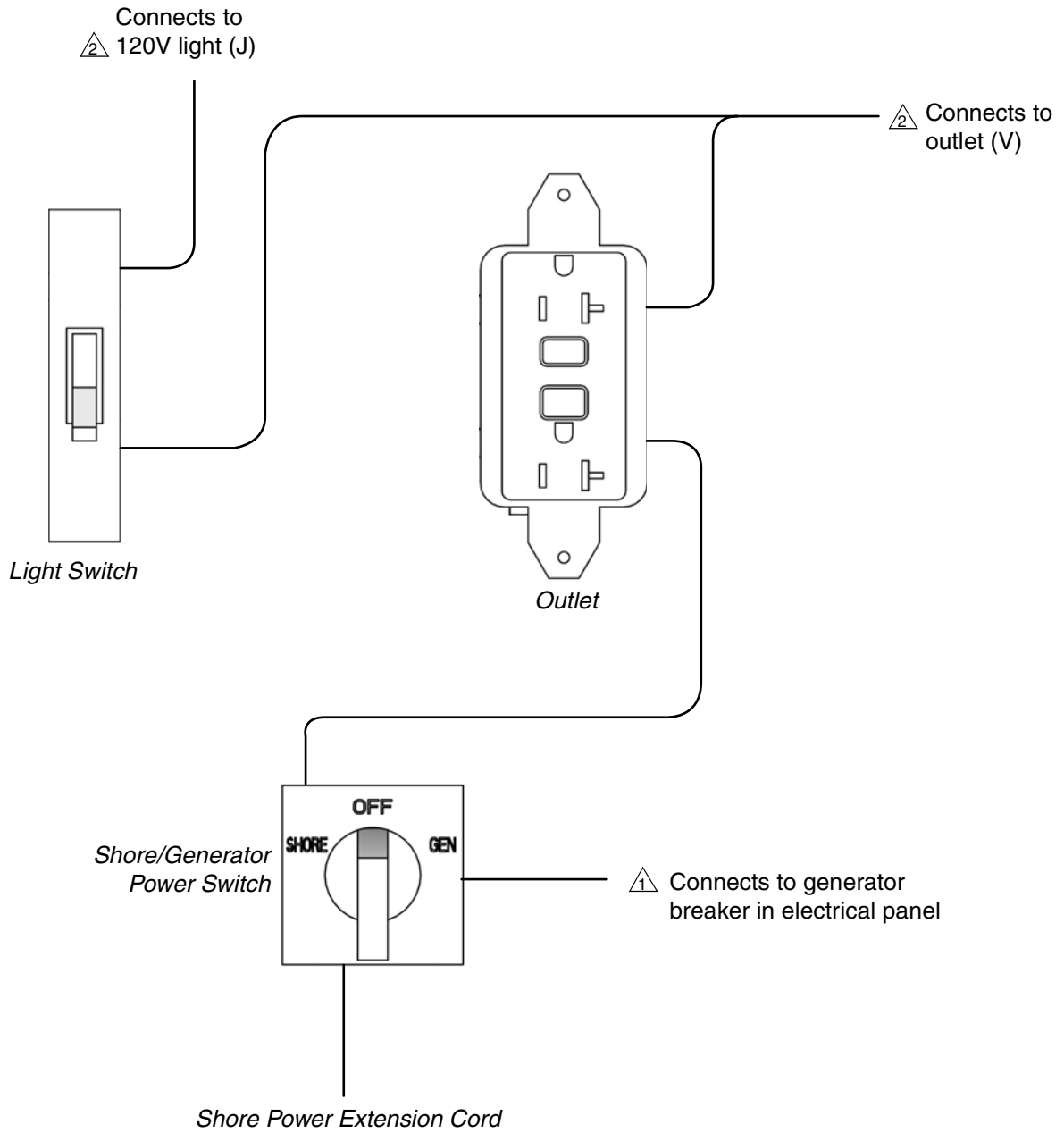


**Key:**  
BA Current Transformer  
BB Grounding Block

- ① Connects to Generator Electrical Cabinet. See Generator manual for wiring information.
- ② Connects to Electrical Panel. See Electrical Panel wiring for your trailer configuration.
- ③ Wire is only used on 3-phase models.

FIG. 18: Main Breaker, All Trailers

# Power Supply, All Trailers



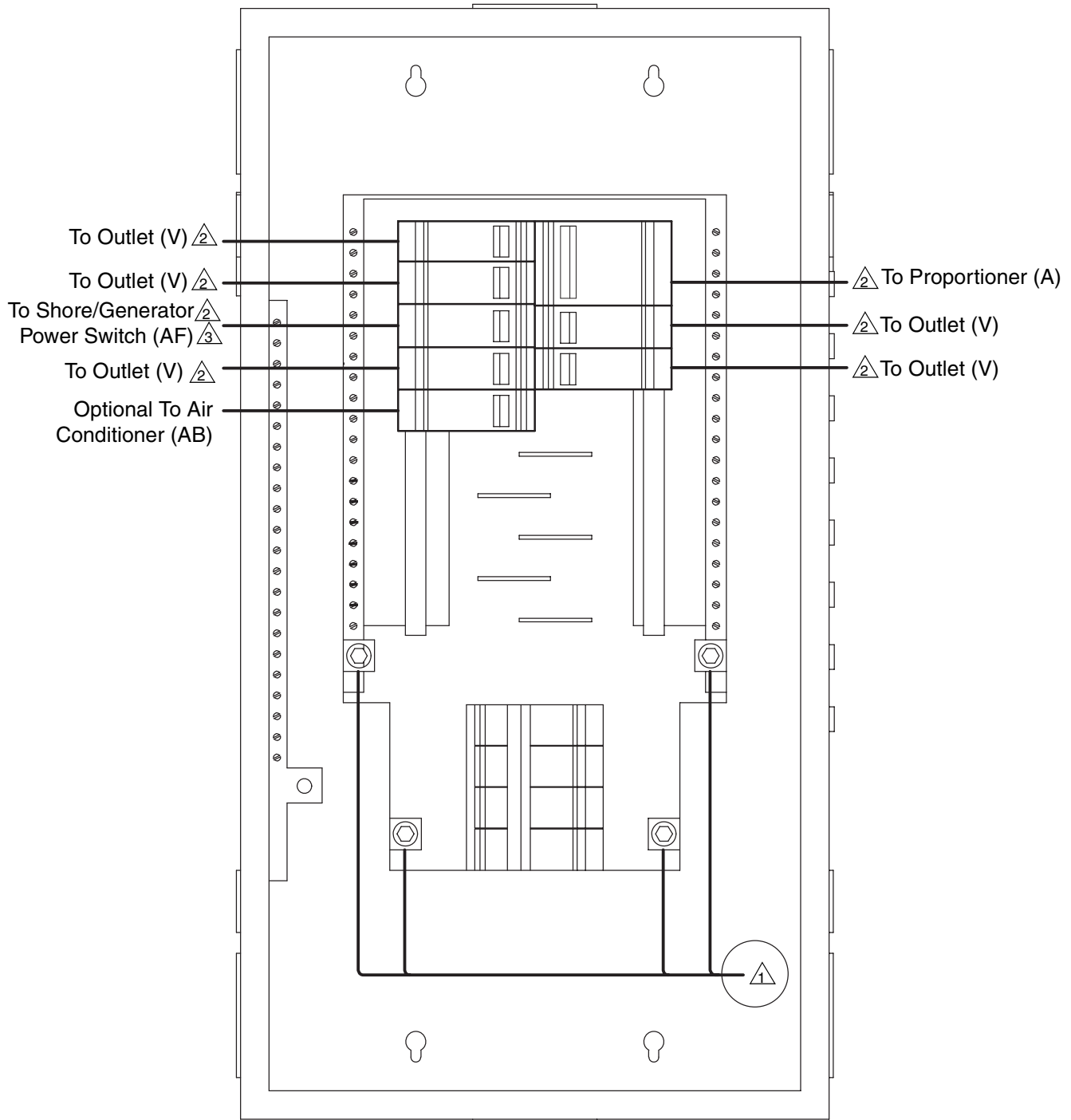
1 See Electrical Panel wiring figure for your trailer configuration.

2 See Trailer wiring figure for your trailer configuration.

FIG. 19: Power Supply, All Trailers

# Electrical Panel

## 1-phase 20 ft and 28 ft Single Proportioner Trailers



1 Connects to Main Breaker. See Main Breaker wiring, FIG. 18 on page 30.

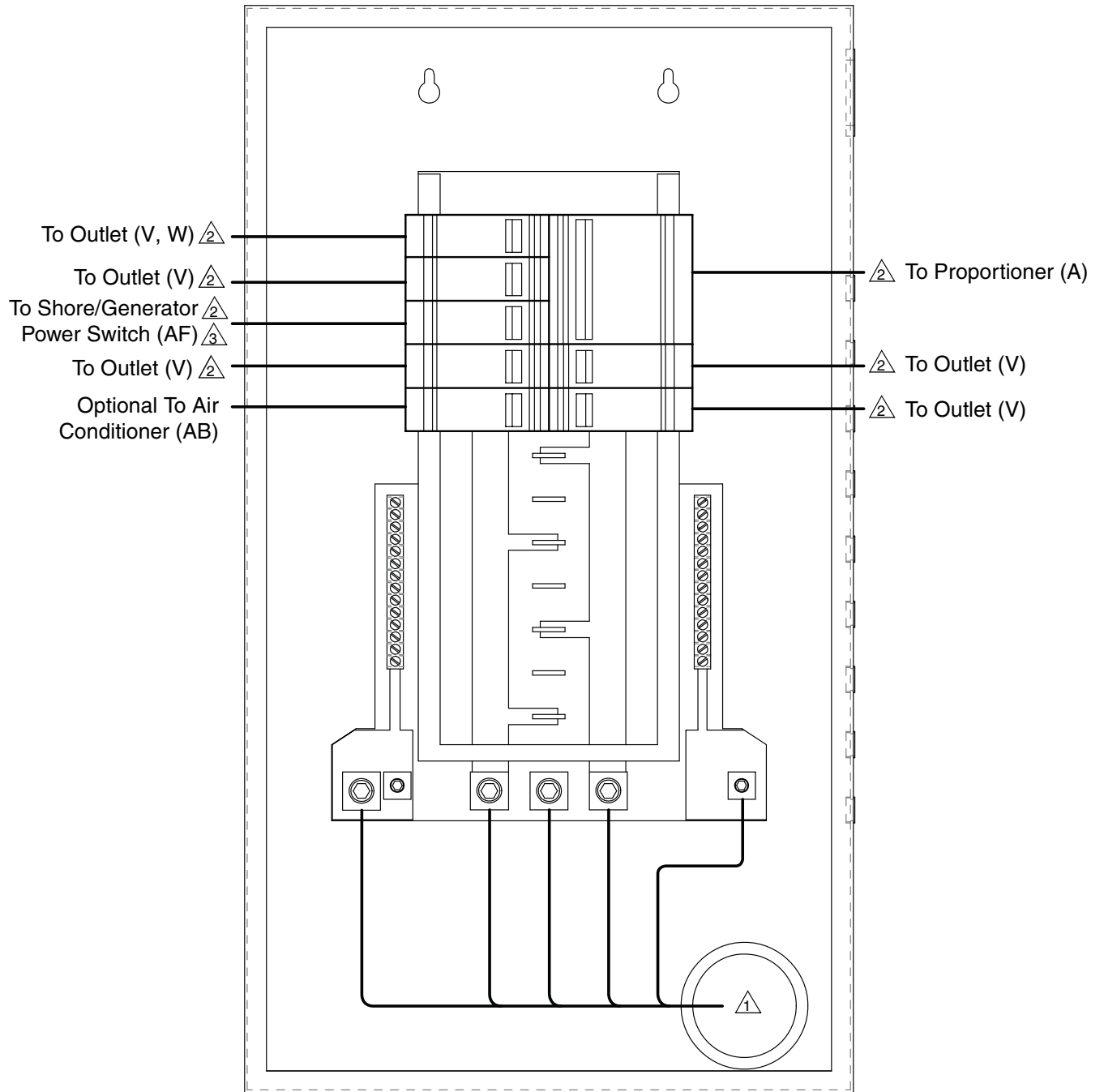
2 See Trailer Wiring figure for your trailer configuration.

3 See Power Supply wiring, FIG. 19 on page 31.

**Fig. 20: Electrical Panel, 1-phase 20 ft and 28 ft Single Proportioner 28 ft Trailers**



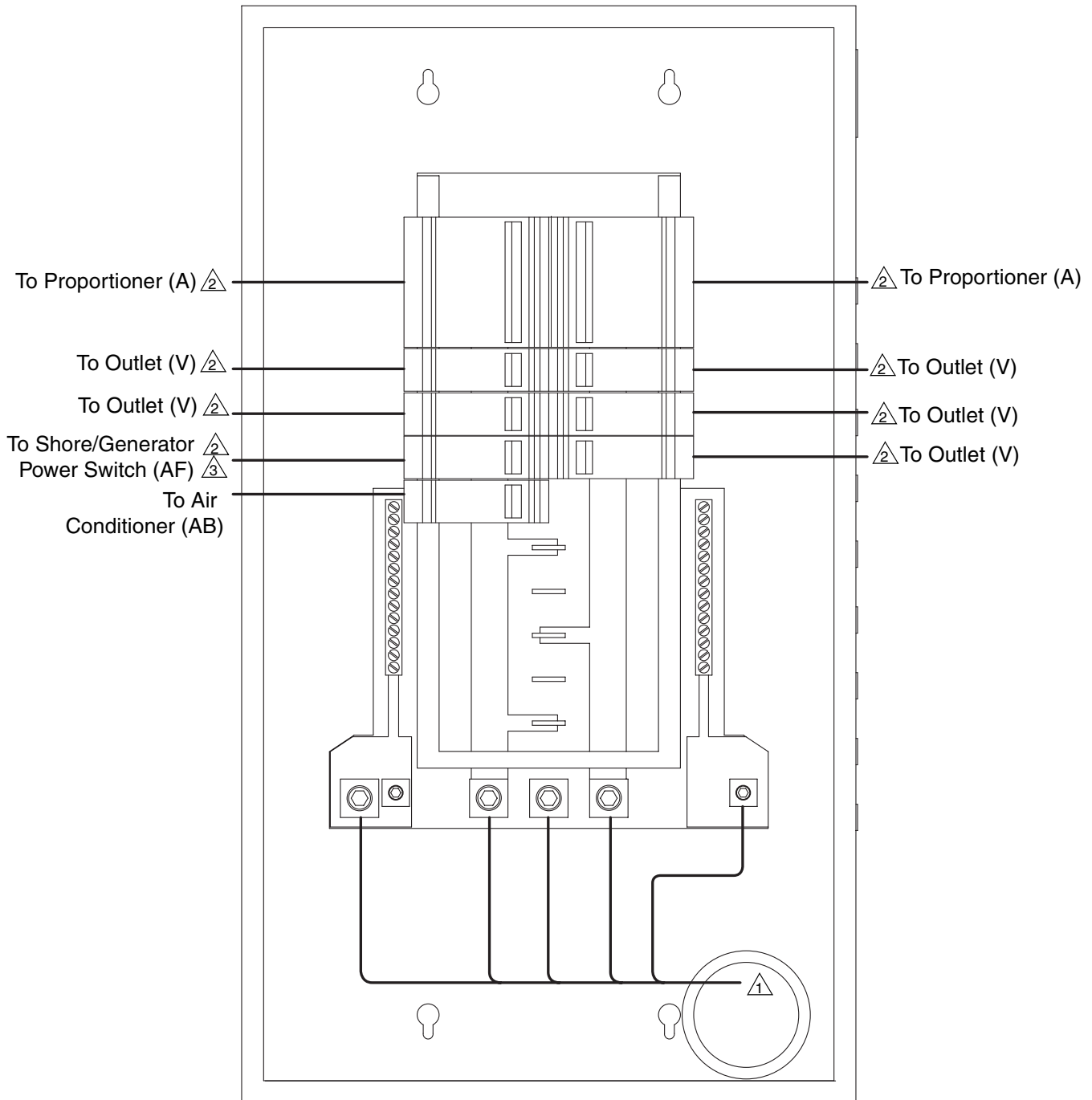
### 3-phase 20 ft and 28 ft Single Proportioner Trailers



- ① Connects to Main Breaker. See Main Breaker wiring, FIG. 18 on page 30.
- ② See Trailer Wiring figure for your trailer configuration.
- ③ See Power Supply wiring, FIG. 19 on page 31.

**FIG. 21: Electrical Panel, 3-phase 20 ft and 28 ft Single Proportioner Trailers**

## Dual Proportioner 28 ft Trailers



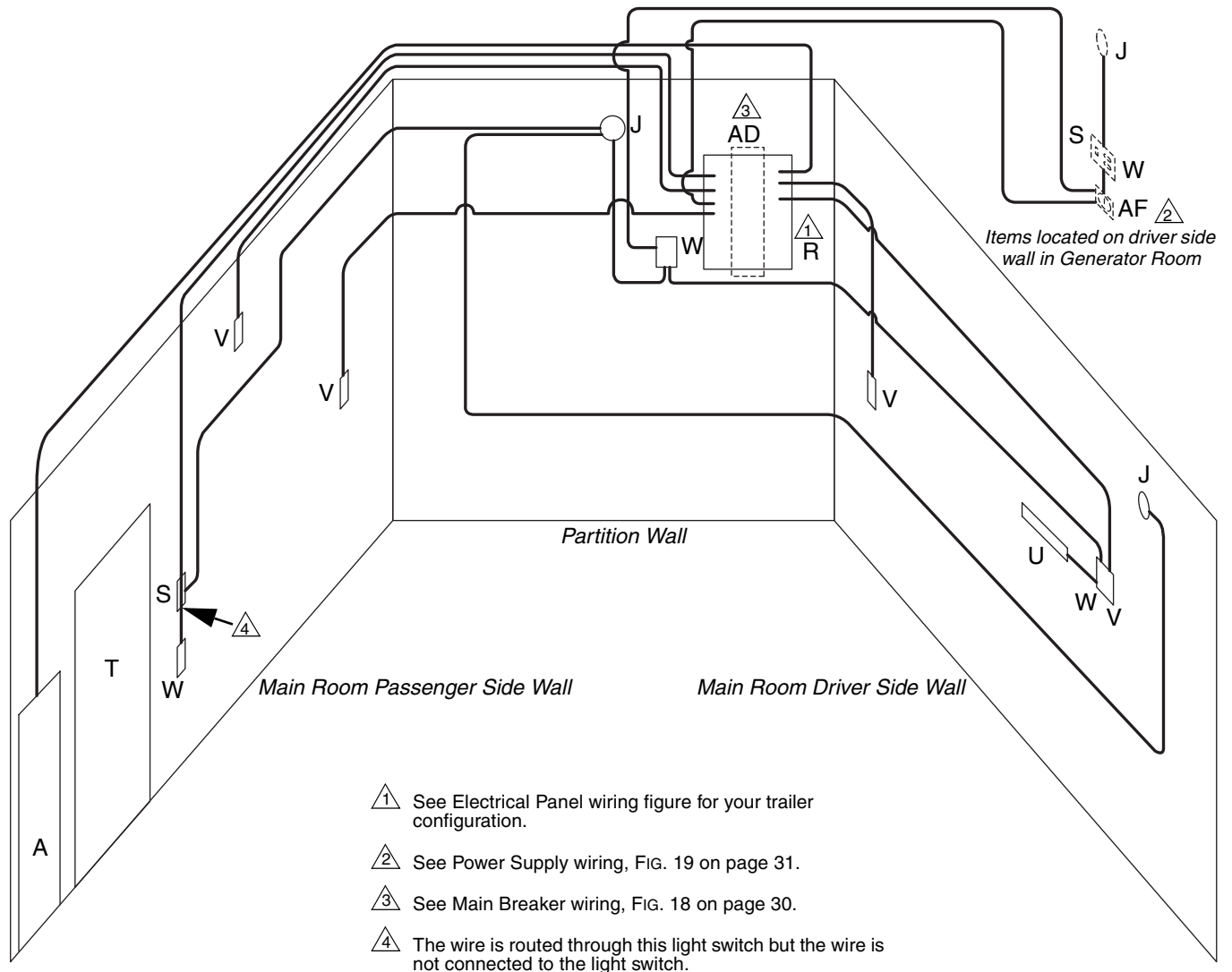
- △1 Connects to Main Breaker. See Main Breaker wiring, FIG. 18 on page 30.
- △2 See Trailer Wiring figure for your trailer configuration.
- △3 See Power Supply wiring, FIG. 19 on page 31.

**FIG. 22: Electrical Panel, Dual Proportioner 28 ft Trailers**

# Trailer Wiring

## 20 ft Trailers

**NOTE:** Dashed lines indicate items on other side of wall.



- △1 See Electrical Panel wiring figure for your trailer configuration.
- △2 See Power Supply wiring, FIG. 19 on page 31.
- △3 See Main Breaker wiring, FIG. 18 on page 30.
- △4 The wire is routed through this light switch but the wire is not connected to the light switch.

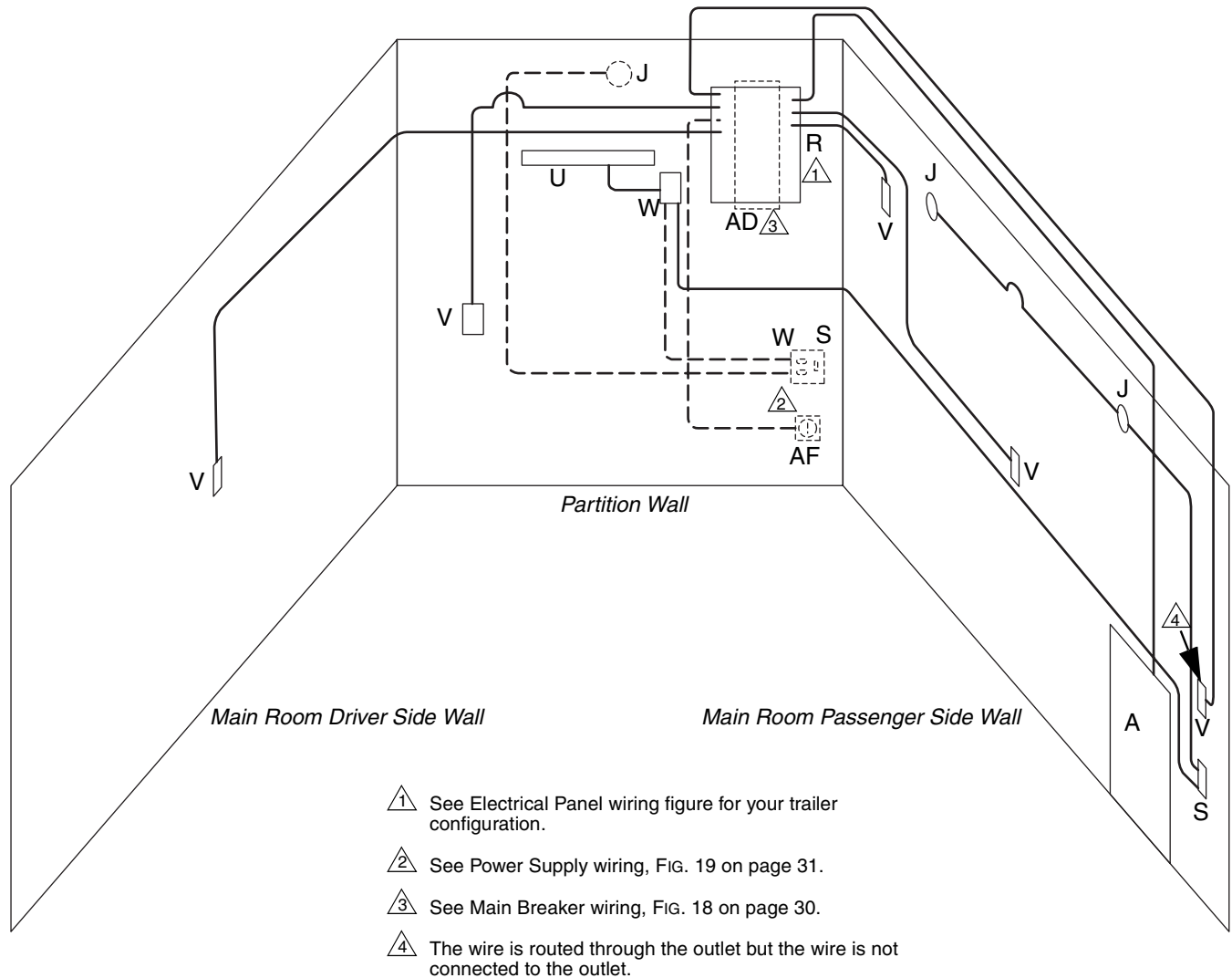
### Key:

A	Proportioner	L	Pump (Stick Pump shown)	W	Outlet powered by both Generator Power and Shore Power
B	Air Dryer	M	Work Bench and Cabinets	AA	Generator
C	Chemical Drums and Rack	N	Fire Extinguisher	AB	Air Conditioner
D	Breathable Air Hose and Rack	P	Heated Hoses and Rack	AC	Air Compressor
E	Breathing Air Filter System	R	Electrical Panel	AD	Main Breaker
F	Air Regulators Assembly	S	Light Switch	AE	Shore Power Extension Cord
G	Emergency Eye Wash Station	T	Door	AF	Shore/Generator Power Switch
H	First Aid Kit	U	Fluorescent Light		
J	120V Lights	V	Outlet powered only by Generator Power		
K	Agitator				

**FIG. 23: Trailer Wiring, 20 ft Trailers**

## Single Proportioner 28 ft Trailer

**NOTE:** Dashed lines indicate items on other side of wall.



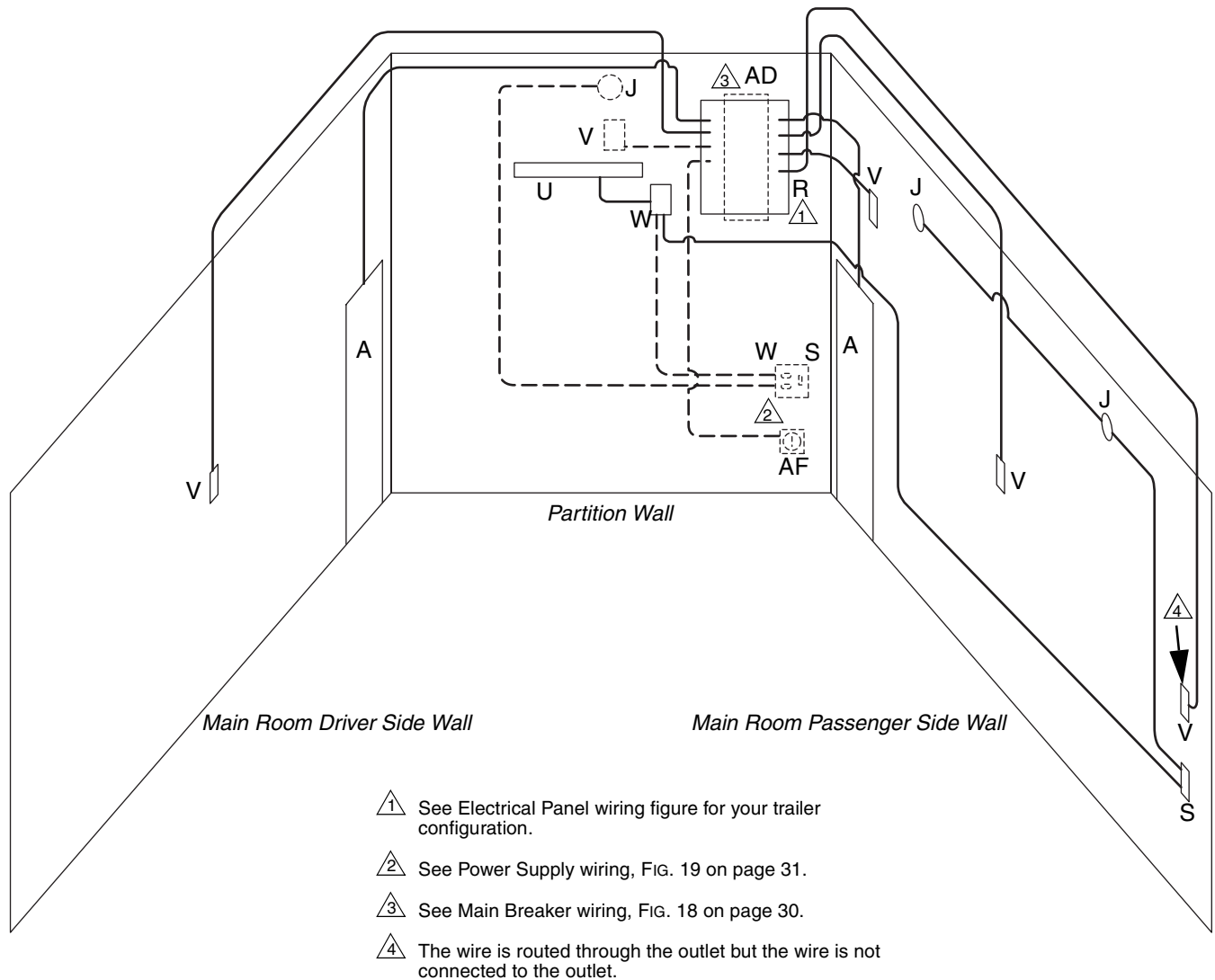
**Key:**

- |                                |  |  |
|--------------------------------|--|--|
| A Proportioner                 | L Pump (Stick Pump shown)                | W Outlet powered by both Generator Power and Shore Power |
| B Air Dryer                    | M Work Bench and Cabinets                | AA Generator   |
| C Chemical Drums and Rack      | N Fire Extinguisher                      | AB Air Conditioner                                       |
| D Breathable Air Hose and Rack | P Heated Hoses and Rack                  | AC Air Compressor  |
| E Breathing Air Filter System  | R Electrical Panel                       | AD Main Breaker  |
| F Air Regulators Assembly      | S Light Switch                           | AE Shore Power Extension Cord                            |
| G Emergency Eye Wash Station   | T Door                                   | AF Shore/Generator Power Switch                          |
| H First Aid Kit                | U Fluorescent Light                      |  |
| J 120V Lights                  | V Outlet powered only by Generator Power |  |
| K Agitator                     |  |  |

**FIG. 24: Trailer Wiring, Single Proportioner 28 ft Trailers**

## Dual Proportioner 28 ft Trailers

**NOTE:** Dashed lines indicate items on other side of wall.



### Key:

A Proportioner	L Pump (Stick Pump shown)	W Outlet powered by both Generator Power and Shore Power
B Air Dryer	M Work Bench and Cabinets	AA Generator
C Chemical Drums and Rack	N Fire Extinguisher	AB Air Conditioner
D Breathable Air Hose and Rack	P Heated Hoses and Rack	AC Air Compressor
E Breathing Air Filter System	R Electrical Panel	AD Main Breaker
F Air Regulators Assembly	S Light Switch	AE Shore Power Extension Cord
G Emergency Eye Wash Station	T Door	AF Shore/Generator Power Switch
H First Aid Kit	U Fluorescent Light	
J 120V Lights	V Outlet powered only by Generator Power	
K Agitator		

**FIG. 25: Trailer Wiring, Dual Proportioner 28 ft Trailers**

# Simplified Pneumatic Schematic

## Single Proportioner Trailers/Truck Boxes

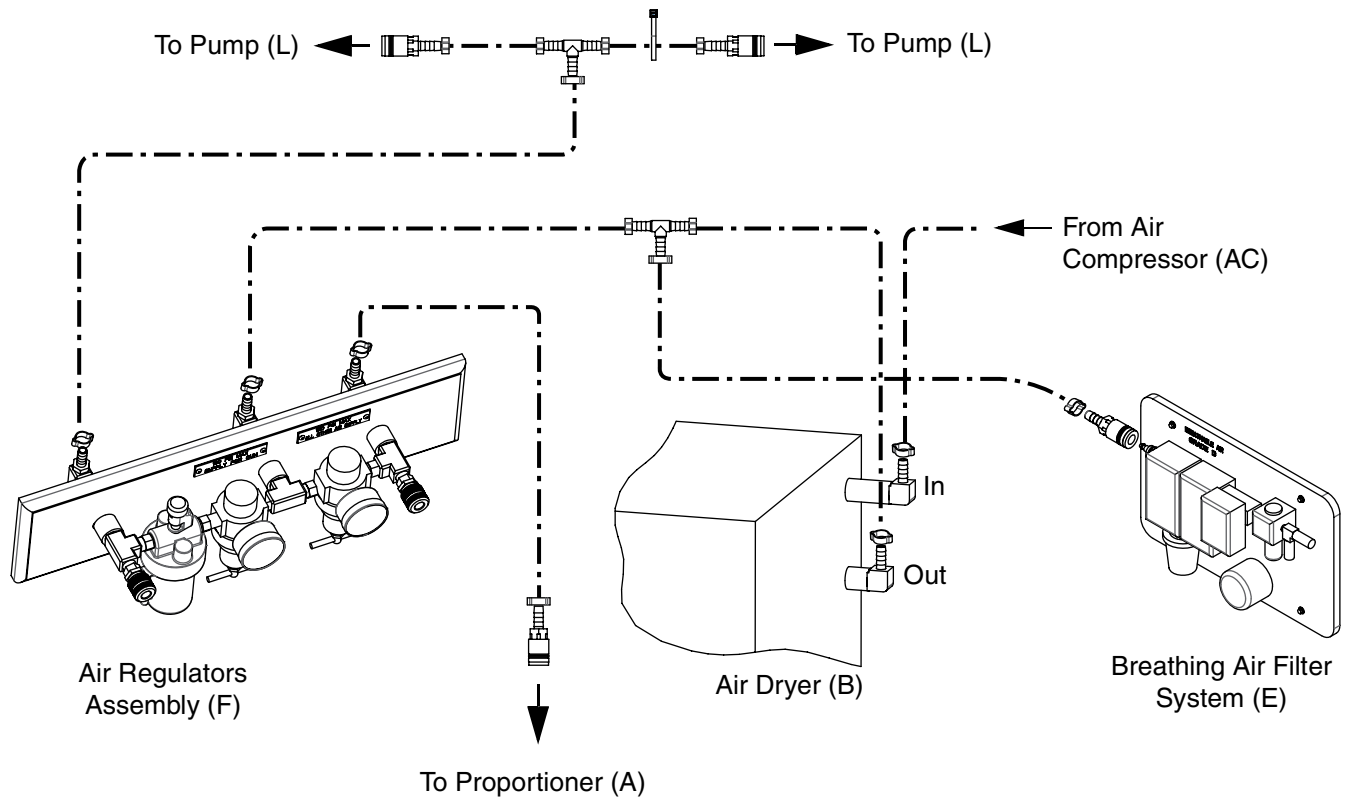


FIG. 26

# Dual Proportioner Trailers/Truck Boxes

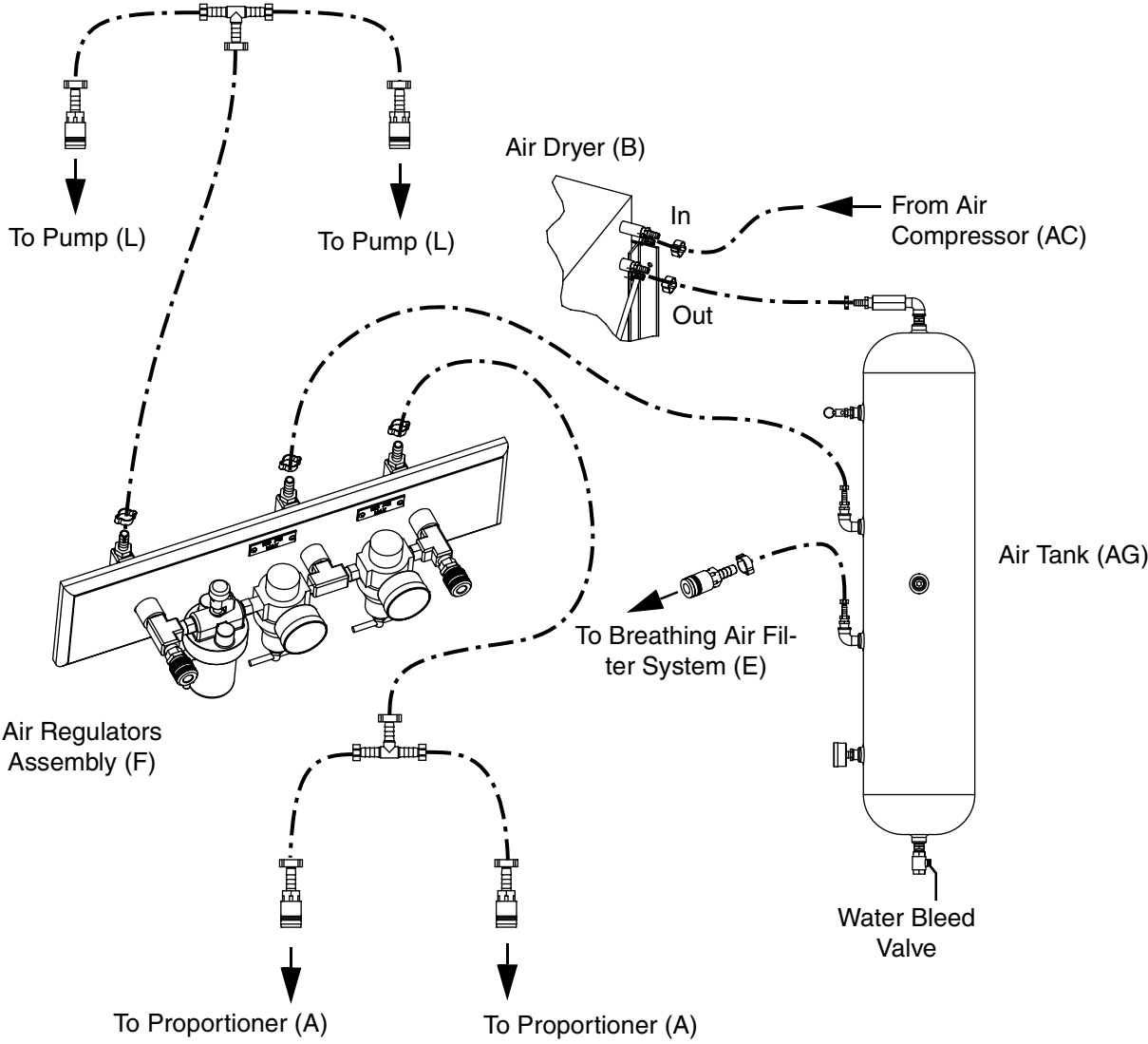


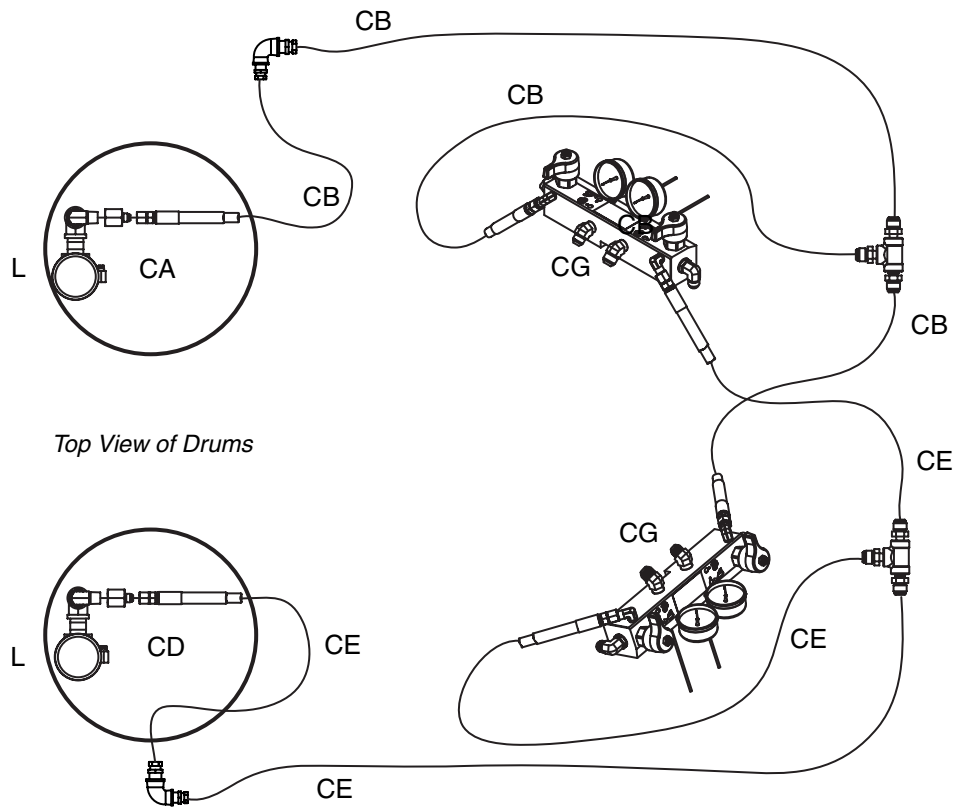
FIG. 27

# Simplified Fluid Schematics

## Single Proportioner Trailers/Truck Boxes

See *Circulation and Return Tube Kits* manual. See **Related Manuals** on page 3.

## Dual Proportioner Trailers/Truck Boxes



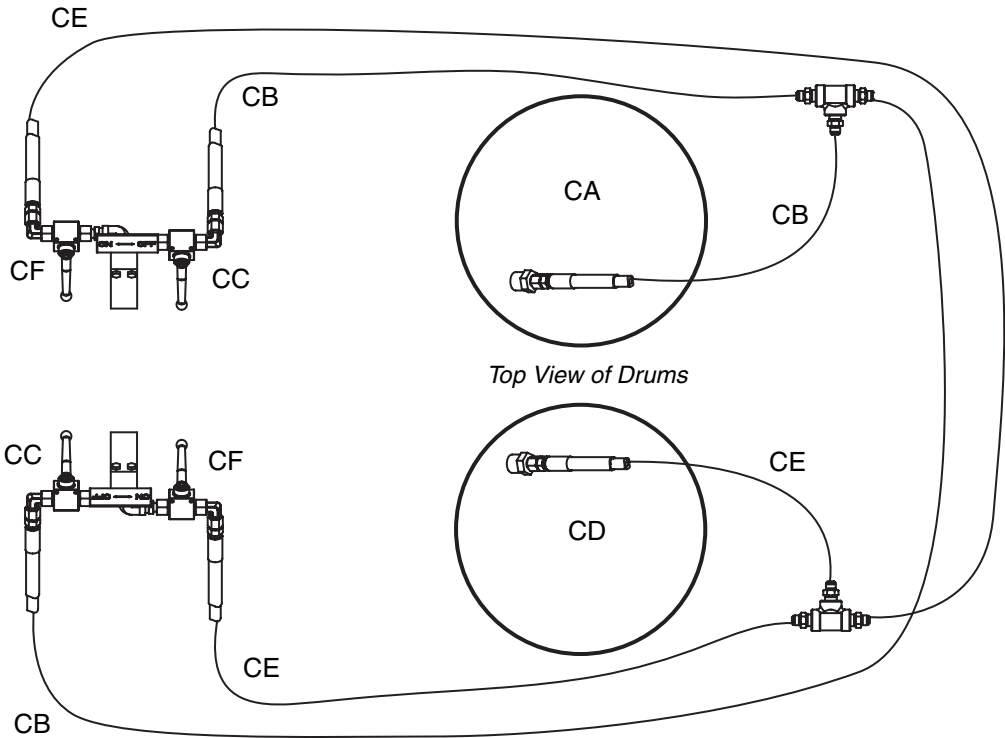
**Key:**

- |                            |                              |
|----------------------------|------------------------------|
| CA Iso Drum                | CE Resin Fluid Line          |
| CB Iso Fluid Line          | CF Resin Recirculation Valve |
| CC Iso Recirculation Valve | CG Proportioner Manifold     |
| CD Resin Drum              |                              |

**FIG. 28: Gun Circulation**



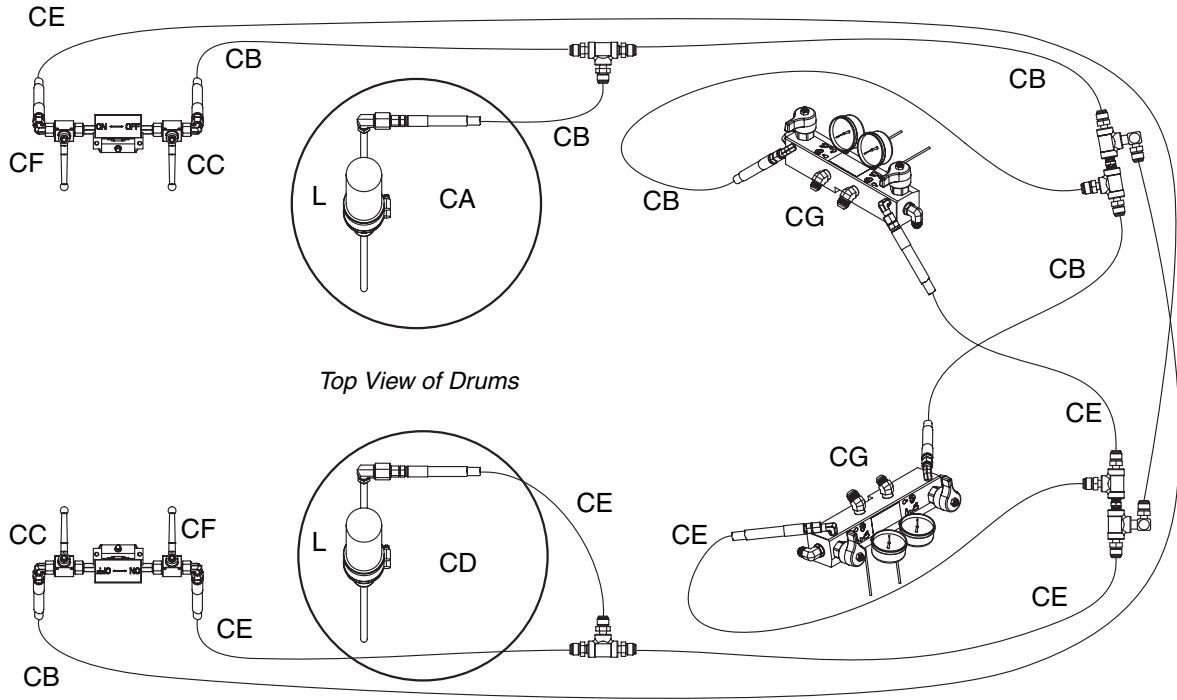
### Dual Proportioner Trailers/Truck Boxes, continued



- Key:**
- CA Iso Drum
  - CB Iso Fluid Line
  - CC Iso Recirculation Valve
  - CD Resin Drum
  - CE Resin Fluid Line
  - CF Resin Recirculation Valve
  - CG Proportioner Manifold

FIG. 29: System Circulation

## Dual Proportioner Trailers/Truck Boxes, continued



Top View of Drums

**Key:**

- |                            |                              |
|----------------------------|------------------------------|
| CA Iso Drum                | CE Resin Fluid Line          |
| CB Iso Fluid Line          | CF Resin Recirculation Valve |
| CC Iso Recirculation Valve | CG Proportioner              |
| CD Resin Drum              |                              |

**FIG. 30: Machine Circulation**

# Dimensions

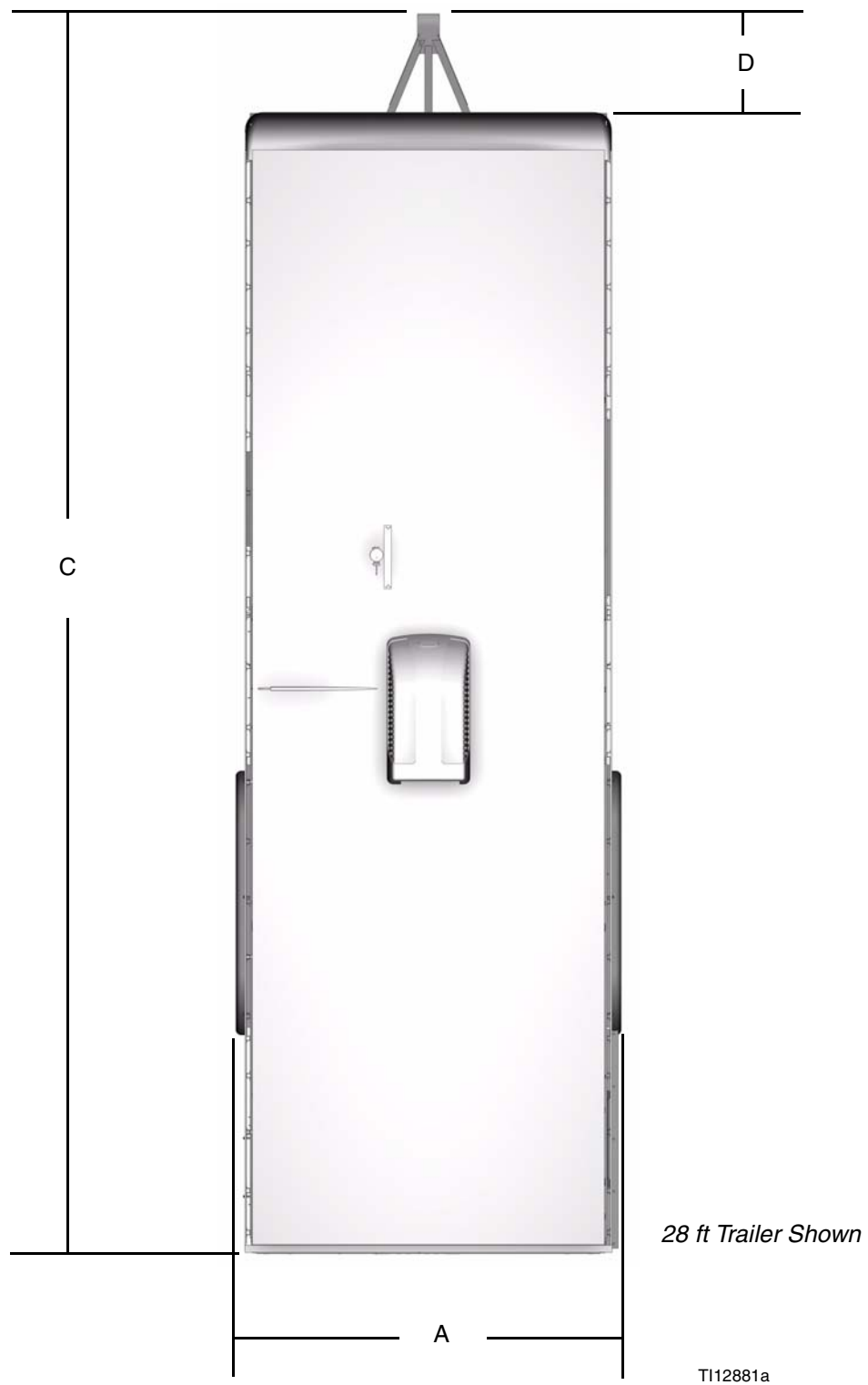
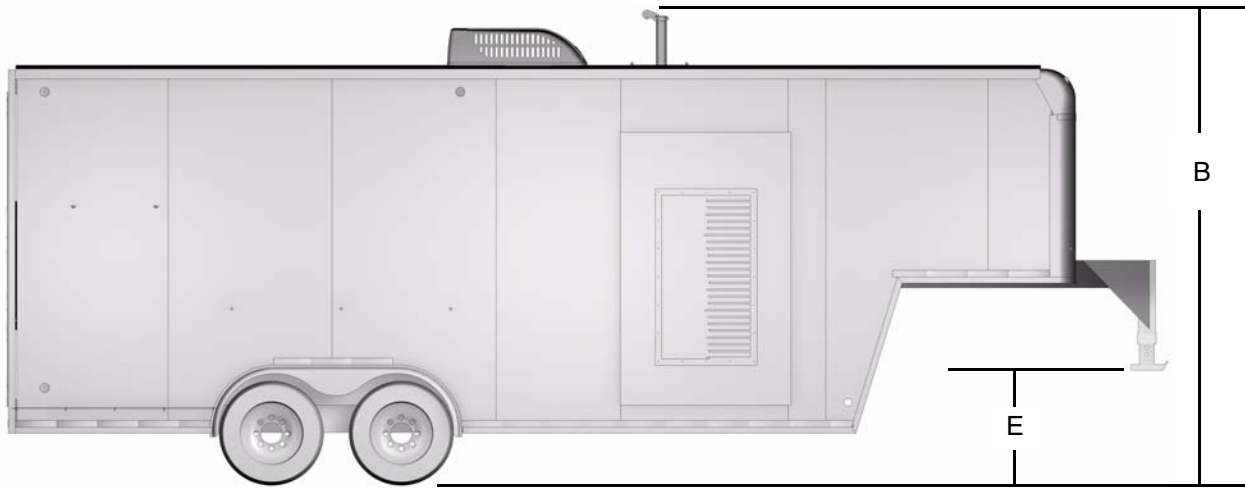


FIG. 31: Top View

28 ft Trailer Shown



T112882a

FIG. 32: Side View

Ref		20 ft Trailer in. (cm)	28 ft Trailer in. (cm)	Modified Truck Box
A (width)		102 (259)	102 (259)	Varies
B (height, trailer level)	Without Air Conditioning	129 (328)	129 (328)	
	With Air Conditioning	135 (343)	135 (343)	
C (length)		240.5 (612)	340 (864)	
D (hitch length)		52 (132)	27 (69)	
E (hitch height, trailer level)		21.25 (54)	32 to 42 (81 to 107)	

# Technical Data

**NOTE:** See **Related Manuals** on page 3.

Voltage, Frequency	230V, 60 Hz
Generator Output . . . . .	40 kW, 1-phase or 3-phase (see <b>Product Configurator</b> on page 4)
Trailer Maximum Weight Capacity . . . . .	See tag on trailer
Trailer Weight OEM . . . . .	See original Graco documents shipped with trailer
Wetted Parts . . . . .	See <b>Related Manuals</b> on page 3
Maximum Air Working Pressure . . . . .	120 psi (0.8 MPa, 8.2 bar) See component manuals for component Maximum Air Working Pressure
Maximum Fluid Working Pressure . . . . .	<i>Fluid Supply Lines from Drum to Proportioner . . . . .</i> 500 psi (3.4 MPa, 34 bar) <i>Fluid Recirculation Lines . . .</i> 3500 psi (24 MPa, 241 bar) See component manuals for component Maximum Fluid Working Pressure

# Graco Ohio Standard Warranty

Graco warrants all equipment referenced in this document which is manufactured by Graco and bearing its name to be free from defects in material and workmanship on the date of sale to the original purchaser for use. With the exception of any special, extended, or limited warranty published by Graco, Graco will, for a period of twelve months from the date of sale, repair or replace any part of the equipment determined by Graco to be defective. This warranty applies only when the equipment is installed, operated and maintained in accordance with Graco's written recommendations.

This warranty does not cover, and Graco shall not be liable for general wear and tear, or any malfunction, damage or wear caused by faulty installation, misapplication, abrasion, corrosion, inadequate or improper maintenance, negligence, accident, tampering, or substitution of non-Graco component parts. Nor shall Graco be liable for malfunction, damage or wear caused by the incompatibility of Graco equipment with structures, accessories, equipment or materials not supplied by Graco, or the improper design, manufacture, installation, operation or maintenance of structures, accessories, equipment or materials not supplied by Graco.

This warranty is conditioned upon the prepaid return of the equipment claimed to be defective to an authorized Graco distributor for verification of the claimed defect. If the claimed defect is verified, Graco will repair or replace free of charge any defective parts. The equipment will be returned to the original purchaser transportation prepaid. If inspection of the equipment does not disclose any defect in material or workmanship, repairs will be made at a reasonable charge, which charges may include the costs of parts, labor, and transportation.

**THIS WARRANTY IS EXCLUSIVE, AND IS IN LIEU OF ANY OTHER WARRANTIES, EXPRESS OR IMPLIED, INCLUDING BUT NOT LIMITED TO WARRANTY OF MERCHANTABILITY OR WARRANTY OF FITNESS FOR A PARTICULAR PURPOSE.**

Graco's sole obligation and buyer's sole remedy for any breach of warranty shall be as set forth above. The buyer agrees that no other remedy (including, but not limited to, incidental or consequential damages for lost profits, lost sales, injury to person or property, or any other incidental or consequential loss) shall be available. Any action for breach of warranty must be brought within two (2) years of the date of sale.

**GRACO MAKES NO WARRANTY, AND DISCLAIMS ALL IMPLIED WARRANTIES OF MERCHANTABILITY AND FITNESS FOR A PARTICULAR PURPOSE, IN CONNECTION WITH ACCESSORIES, EQUIPMENT, MATERIALS OR COMPONENTS SOLD BUT NOT MANUFACTURED BY GRACO.** These items sold, but not manufactured by Graco (such as electric motors, switches, hose, etc.), are subject to the warranty, if any, of their manufacturer. Graco will provide purchaser with reasonable assistance in making any claim for breach of these warranties.

In no event will Graco be liable for indirect, incidental, special or consequential damages resulting from Graco supplying equipment hereunder, or the furnishing, performance, or use of any products or other goods sold hereto, whether due to a breach of contract, breach of warranty, the negligence of Graco, or otherwise.

## **FOR GRACO CANADA CUSTOMERS**

The Parties acknowledge that they have required that the present document, as well as all documents, notices and legal proceedings entered into, given or instituted pursuant hereto or relating directly or indirectly hereto, be drawn up in English. Les parties reconnaissent avoir convenu que la rédaction du présente document sera en Anglais, ainsi que tous documents, avis et procédures judiciaires exécutés, donnés ou intentés, à la suite de ou en rapport, directement ou indirectement, avec les procédures concernées.

# Graco Ohio Information

**TO PLACE AN ORDER**, contact your Graco distributor or call to identify the nearest distributor.

**Toll Free: 1-800-746-1334 or Fax: 330-966-3006**

*All written and visual data contained in this document reflects the latest product information available at the time of publication.  
Graco reserves the right to make changes at any time without notice.*

*This manual contains English. MM 312765*

**Graco Headquarters:** Minneapolis

**International Offices:** Belgium, China, Japan, Korea

**GRACO OHIO INC. 8400 PORT JACKSON AVE NW, NORTH CANTON, OH 44720**

Copyright 2009, Graco Ohio Inc. is registered to ISO 9001

[www.graco.com](http://www.graco.com)

Rev 3/2009